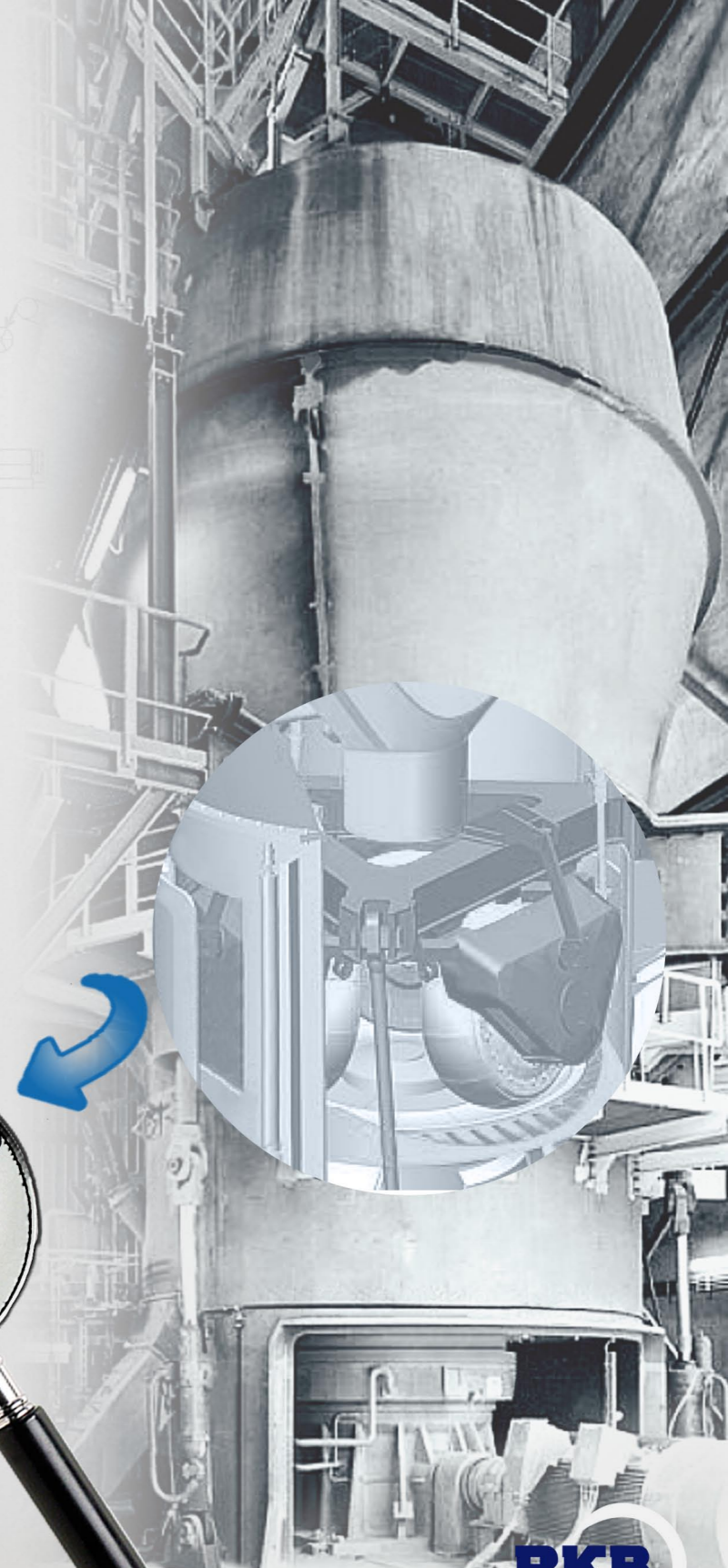
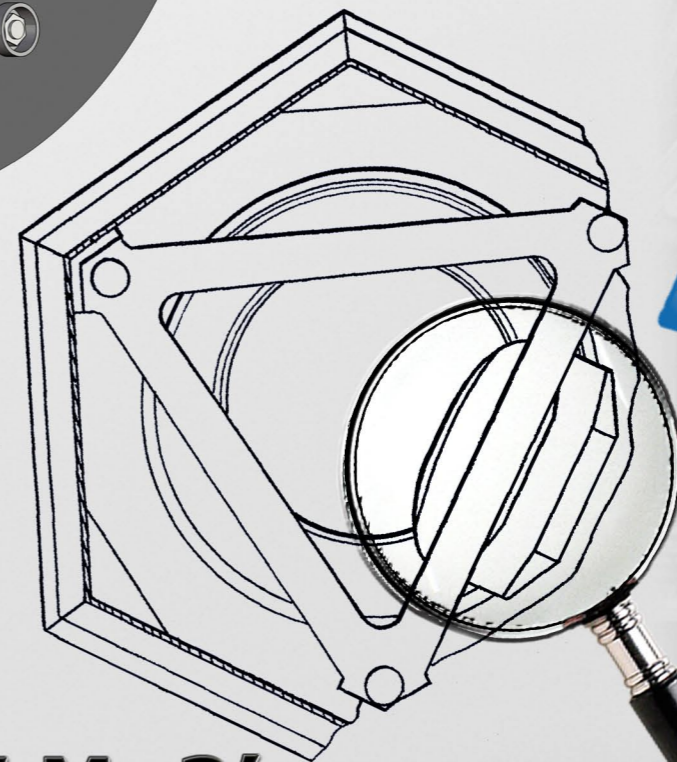
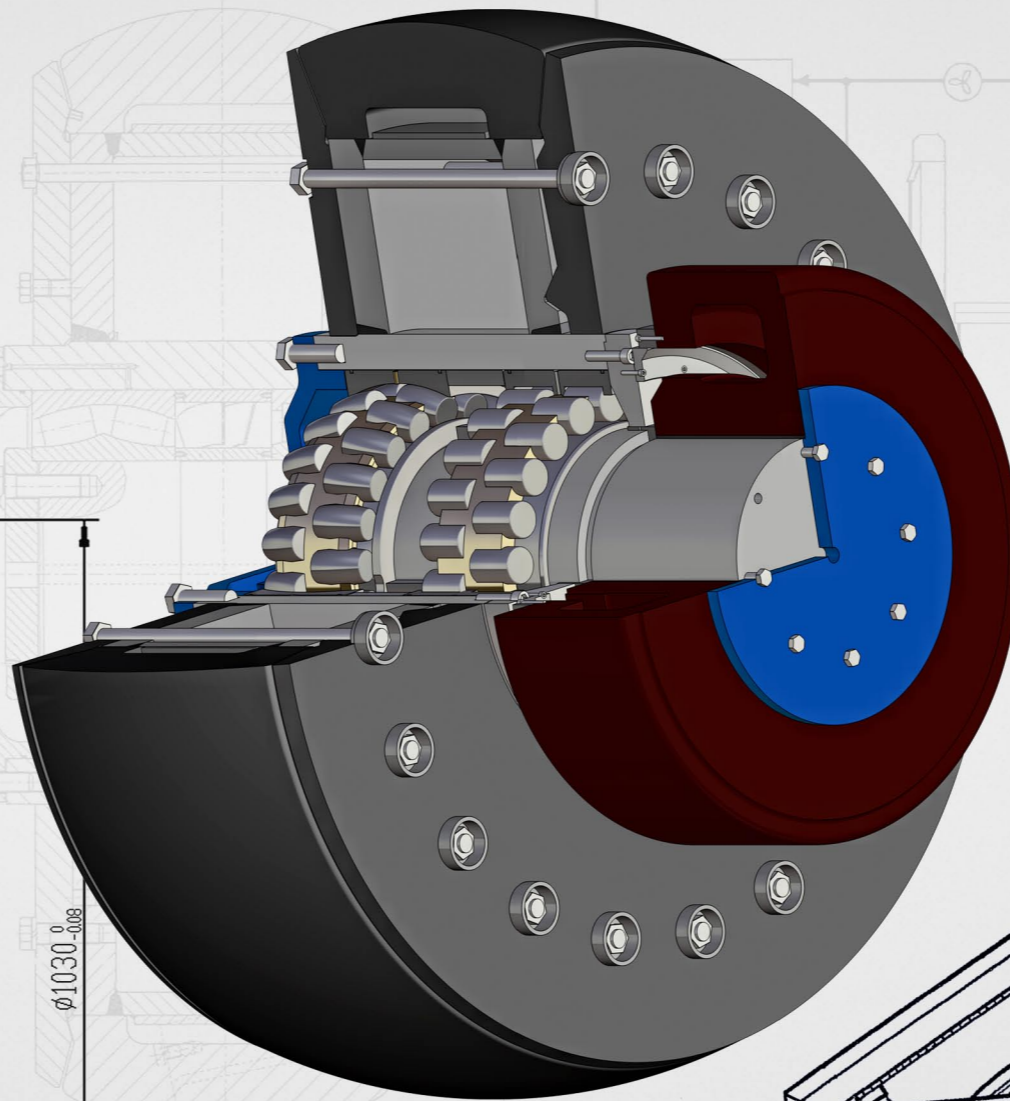
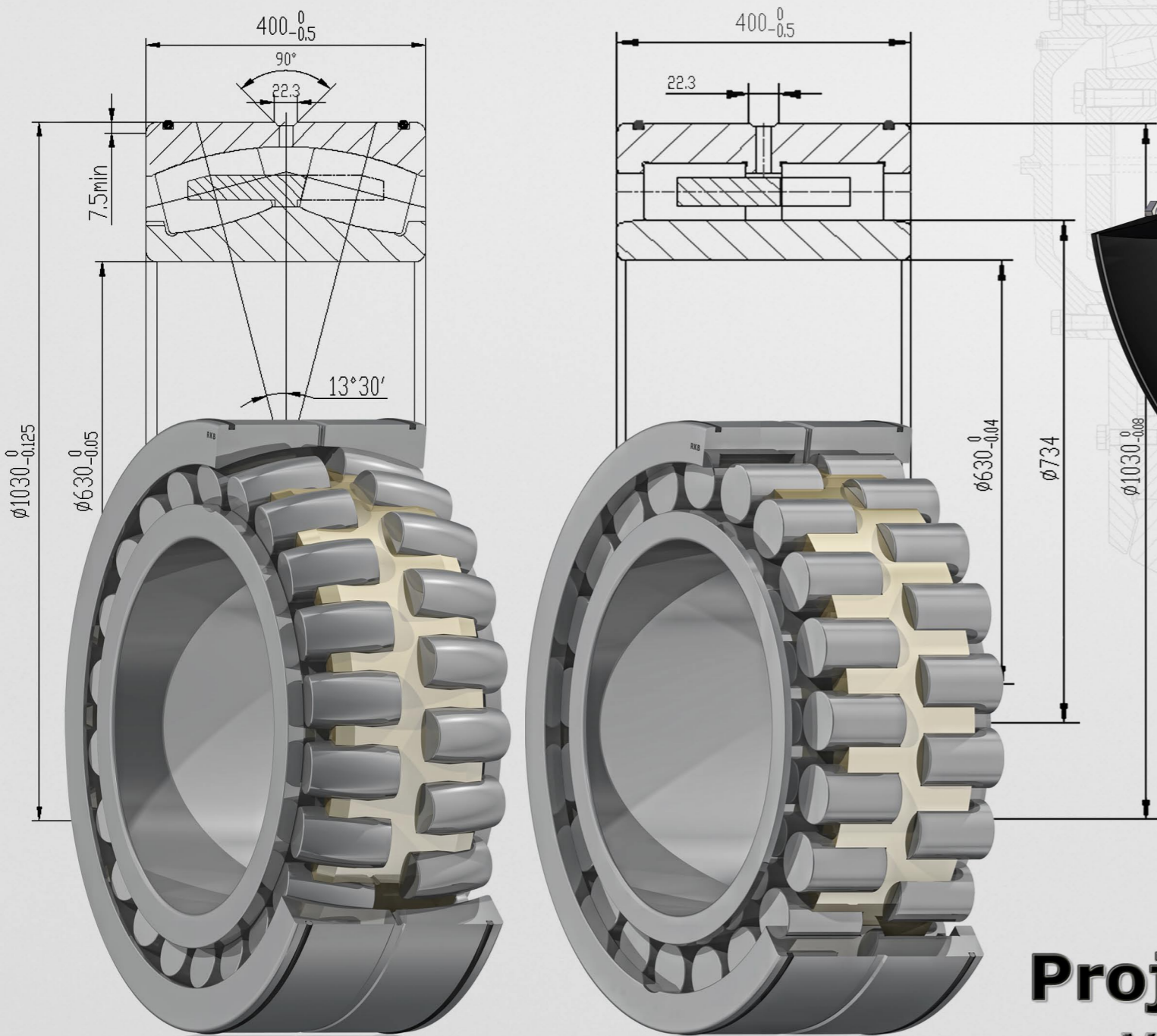




Main bearings:  
T3 Segment - Technological bearings



**Project 'Crusher V.M. 2'**  
Vertical mill grinding rolls







Main bearings:  
T3 Segment - Technological bearings

MPS Series

Up to 750 mm inner diameter

Safety factor ( $S_0$ ) > 4 with  
high presence of shocks

Harsh environmental conditions  
with suspended dust particles

High working temperature  
up to 200-250 °C

Project 'Crusher V.M. 2'  
Vertical mill grinding rolls

