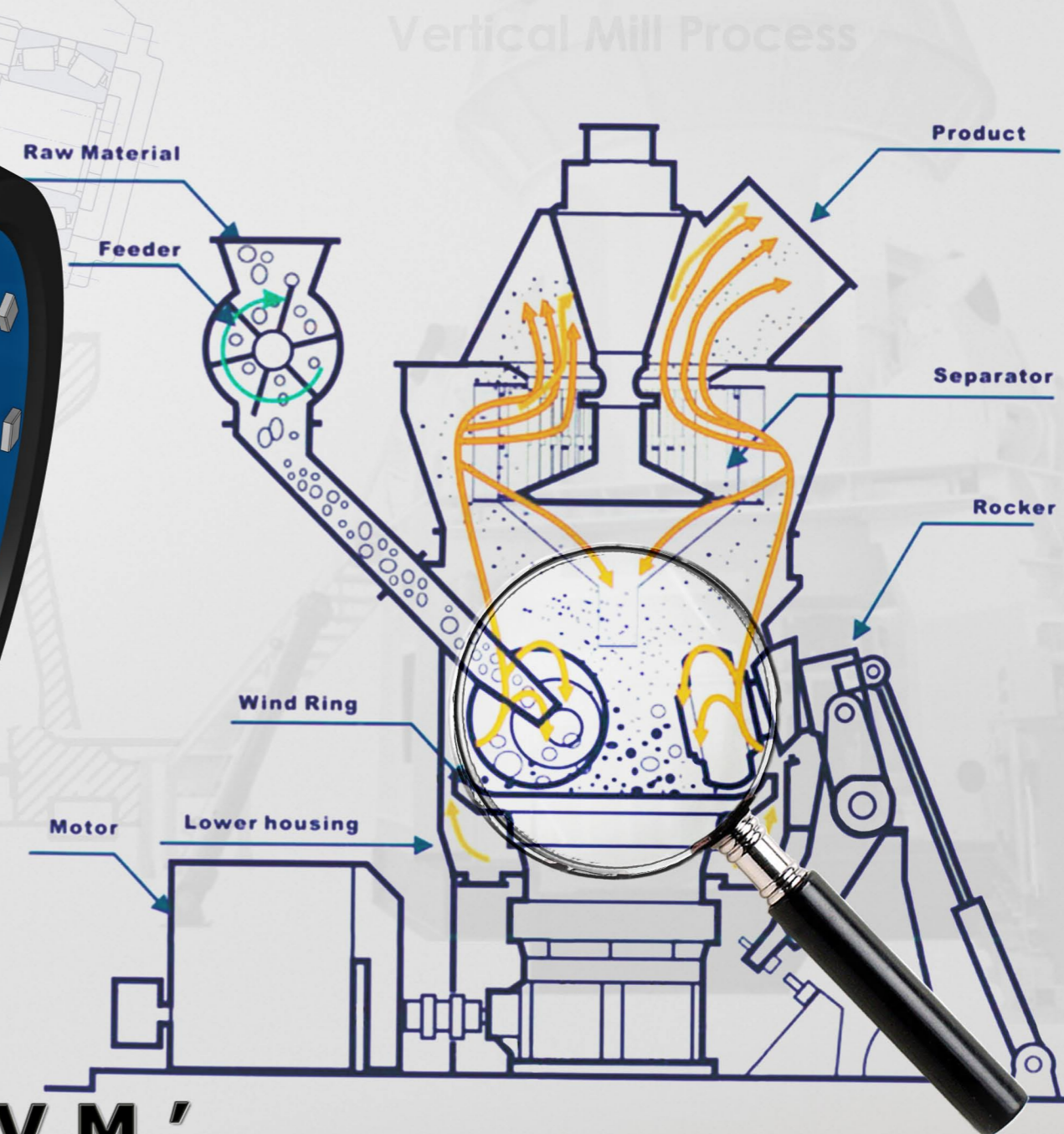
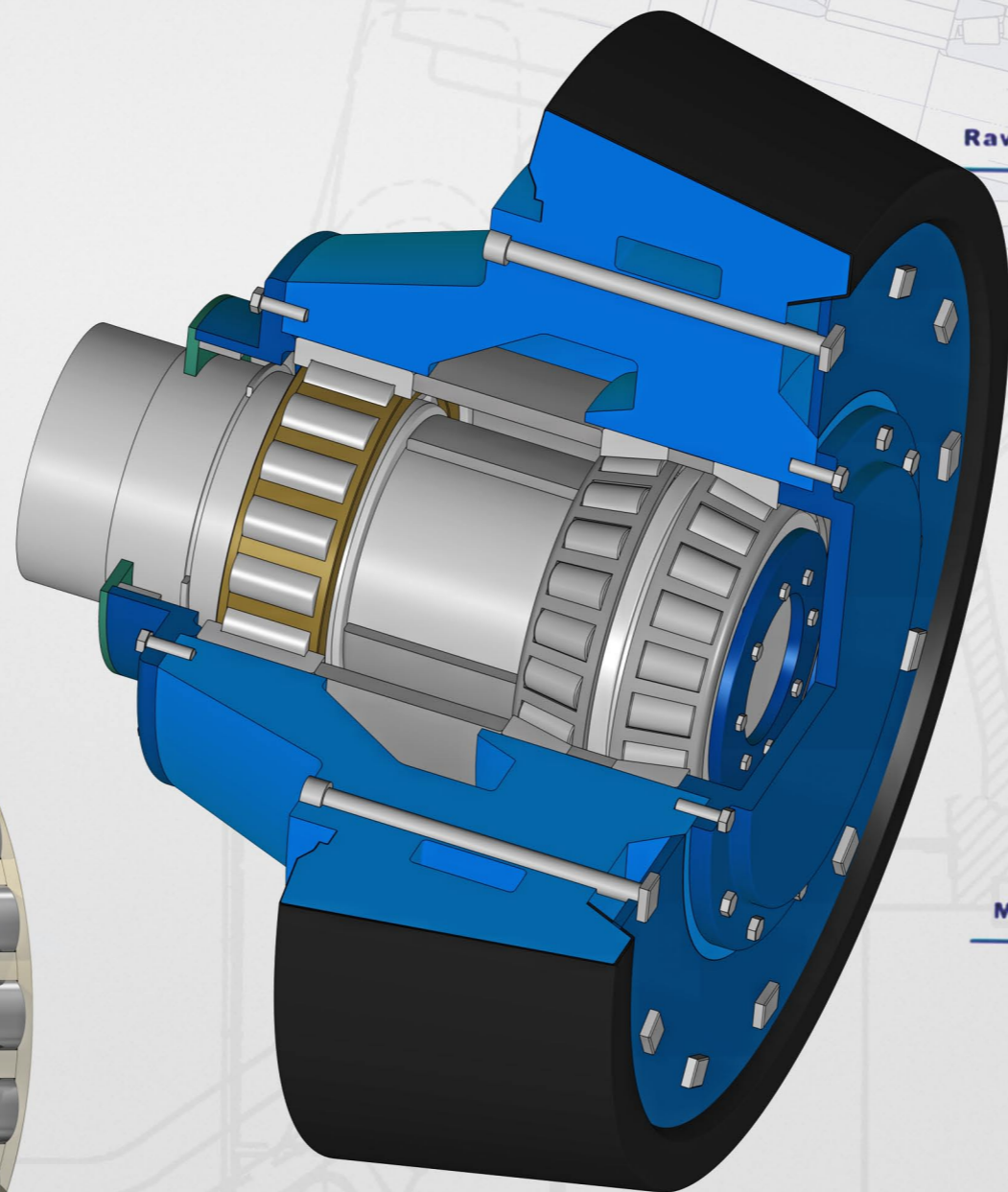
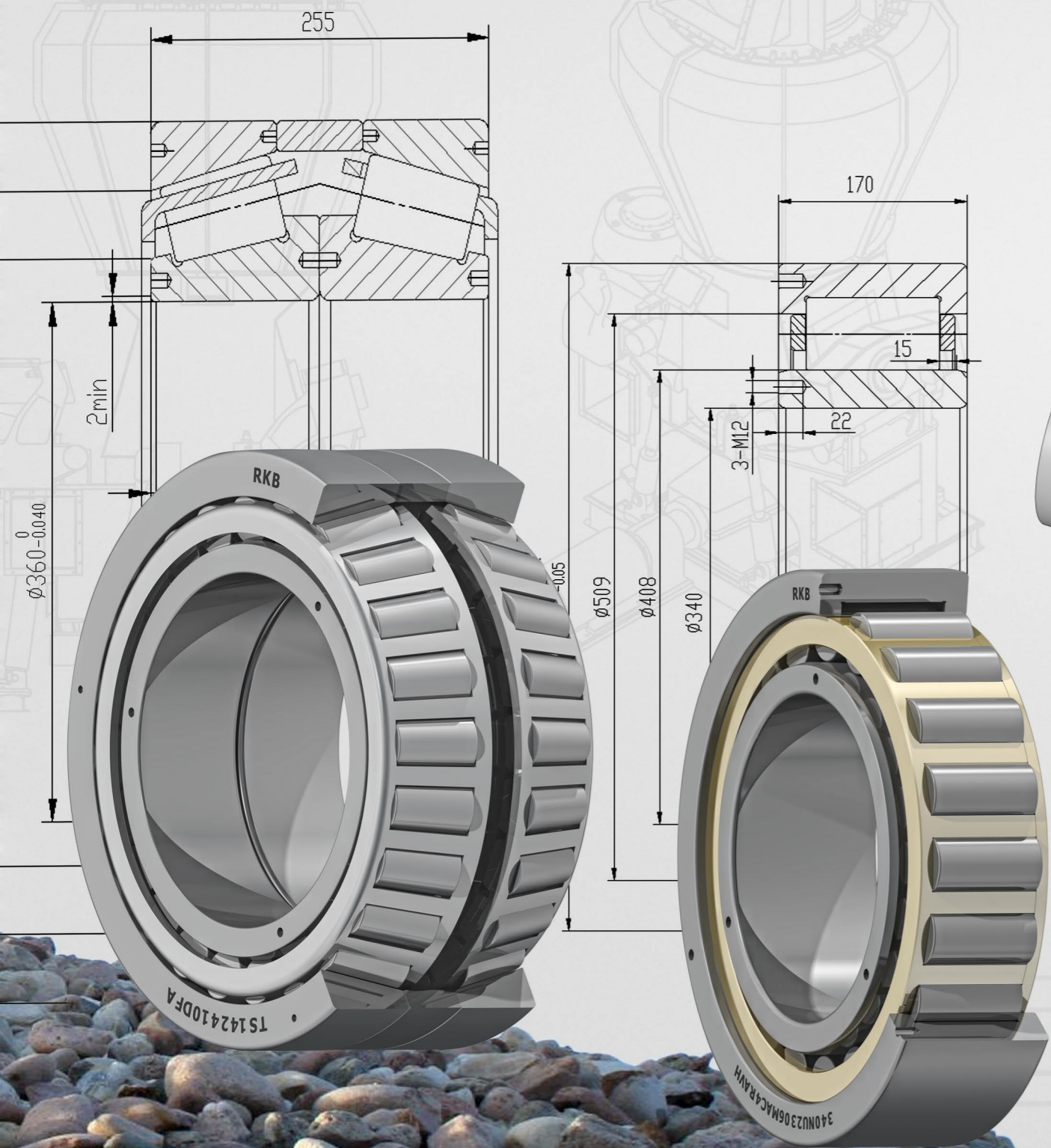
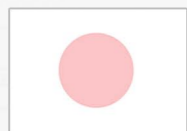


Main bearings:
T3 Segment - Technological bearings



Project 'Crusher V.M.'
Tyre rolls of vertical mill



Main bearings:
T3 Segment - Technological bearings



Technological cylindrical and taper roller bearings (DF configuration) for liftable grinding rolls of vertical mill

Up to 440 mm inner diameter and 750 mm outer diameter

Safety factor (S_0) > 5 with high presence of grinding shocks

Design life (L_{10mh}) > 20000 h

Project 'Crusher V.M.'
Tyre rolls of vertical mill

