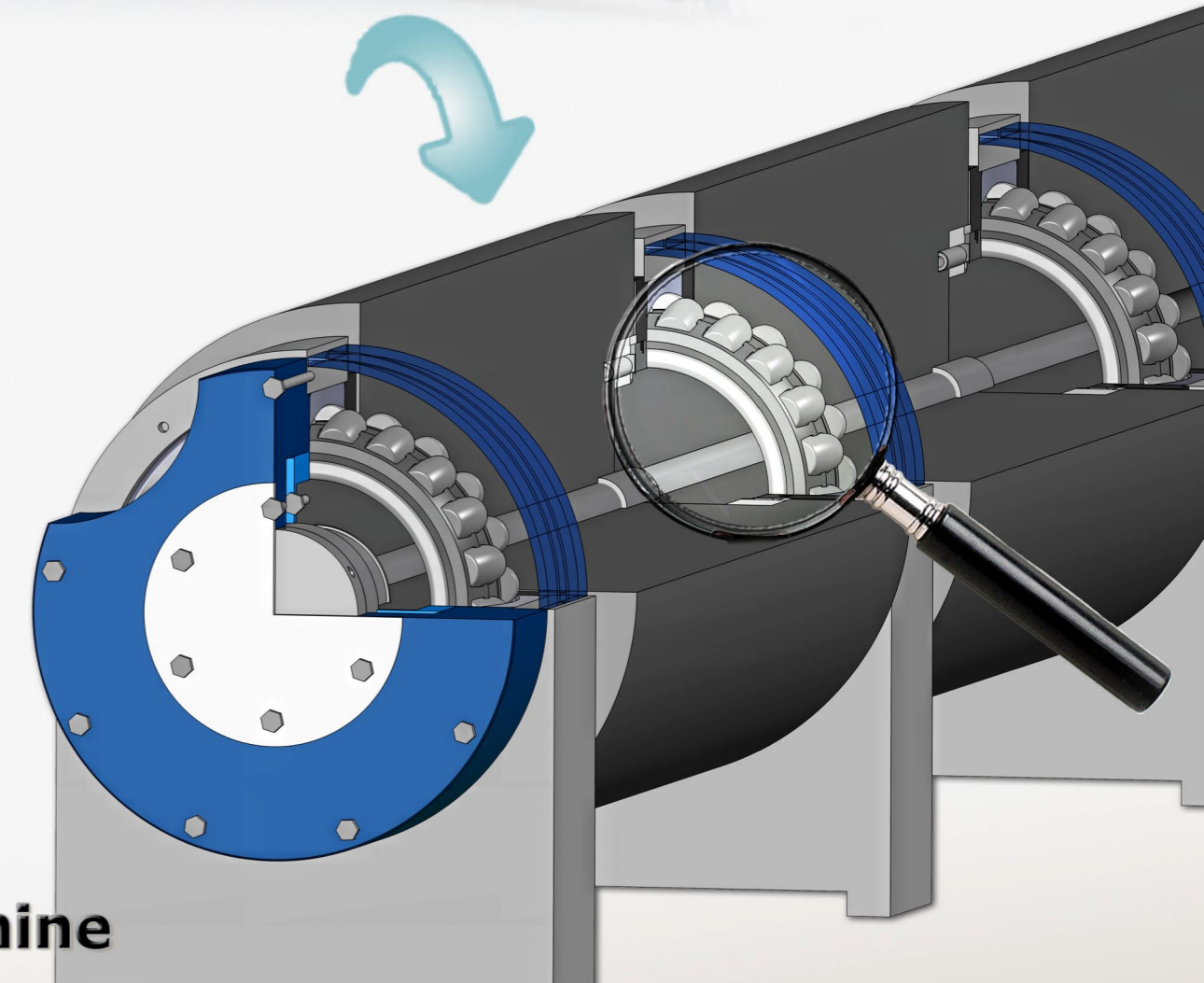
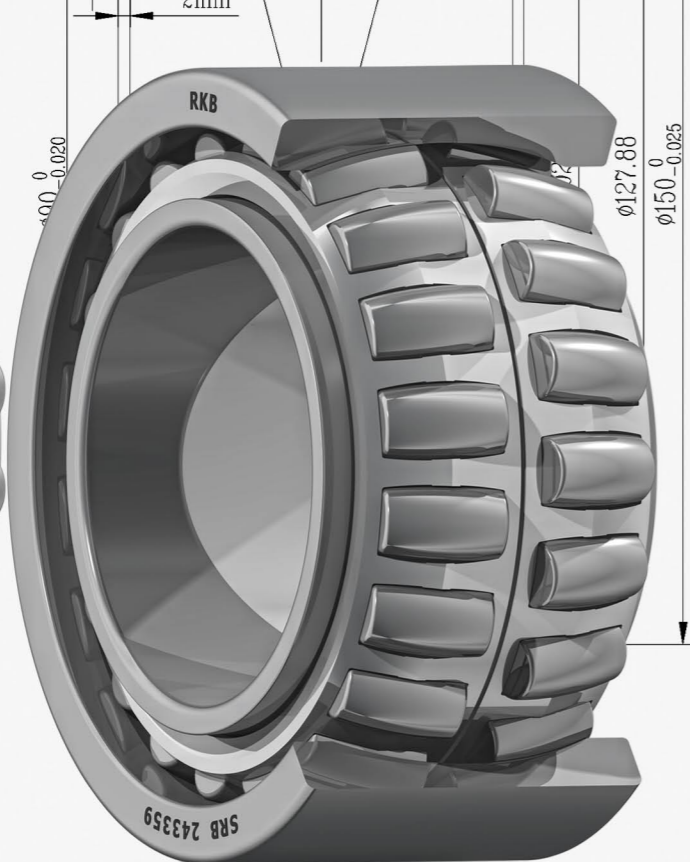
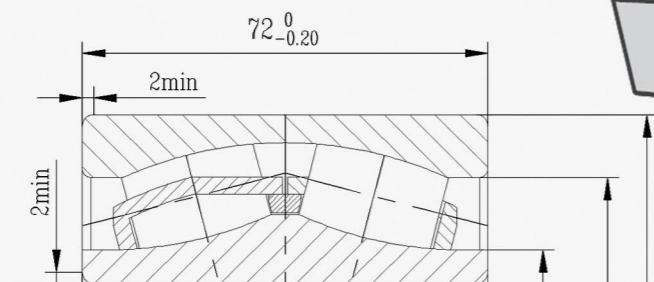
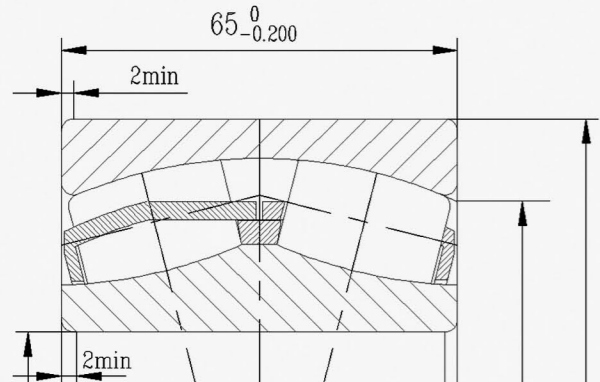
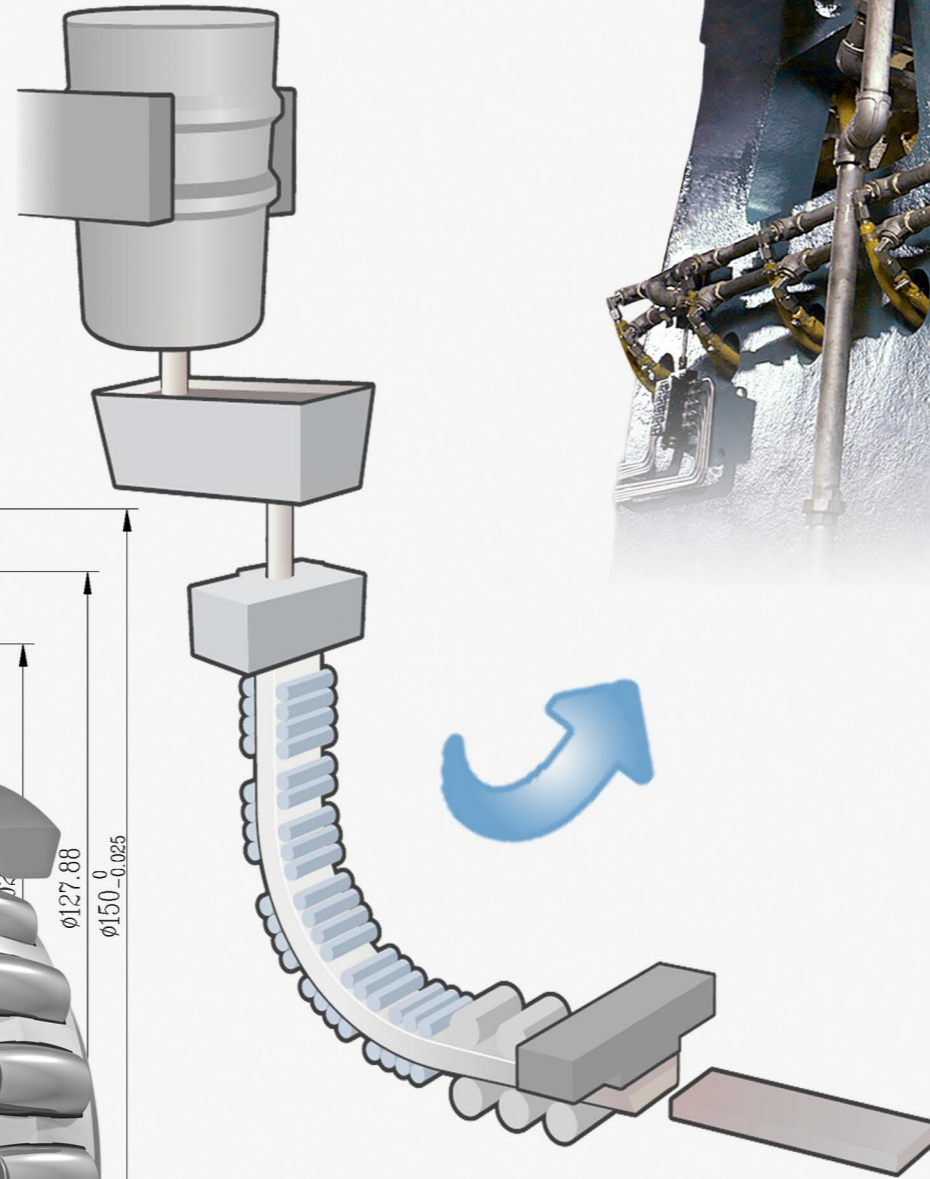
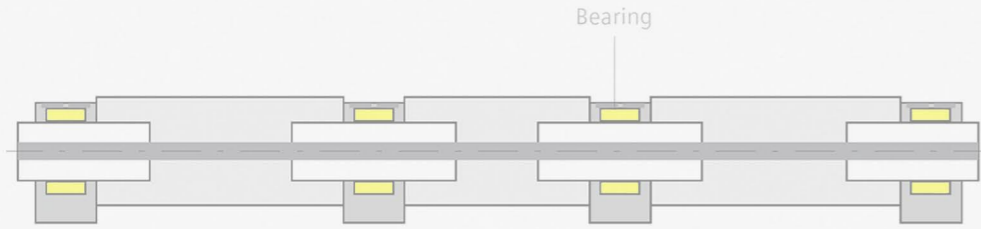
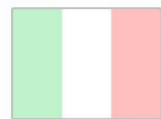
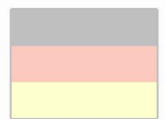




Main bearings:
T3 Segment - Spherical roller bearings



Project 'SRB'
Special guide rolls of
continuous slab casting machine



Main bearings:
T3 Segment - Spherical roller bearings



Low cross section spherical roller bearings for guide rolls of continuous slab casting in hot strip mills

Up to 170 mm outer diameter

Out of standard window-type cage

Stabilizing Treatment for operating temperatures up to 300 °C (S3)

Project 'SRB'

Special guide rolls of continuous slab casting machine

