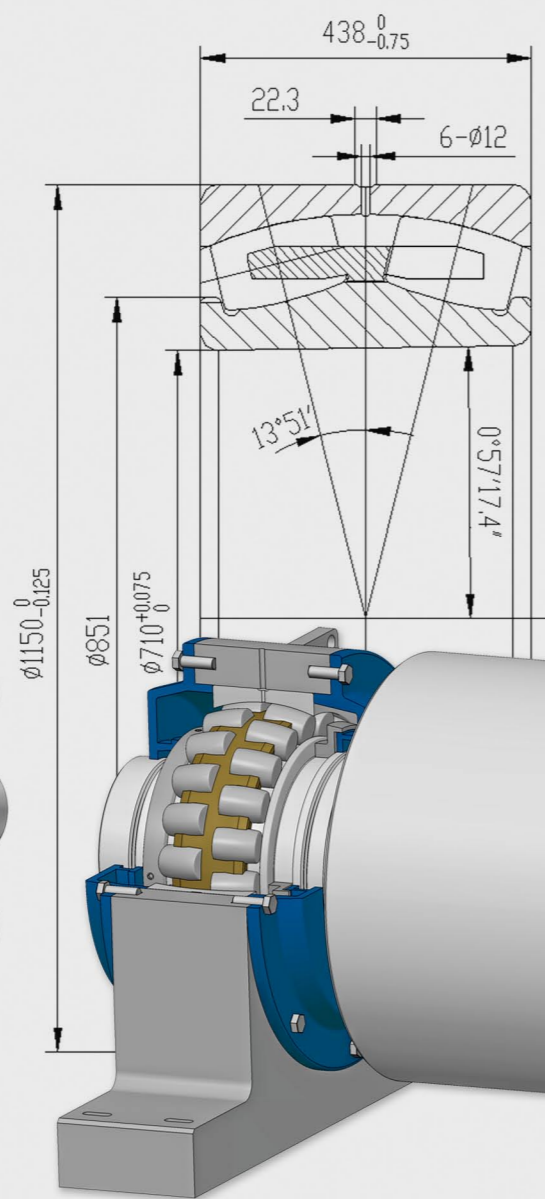
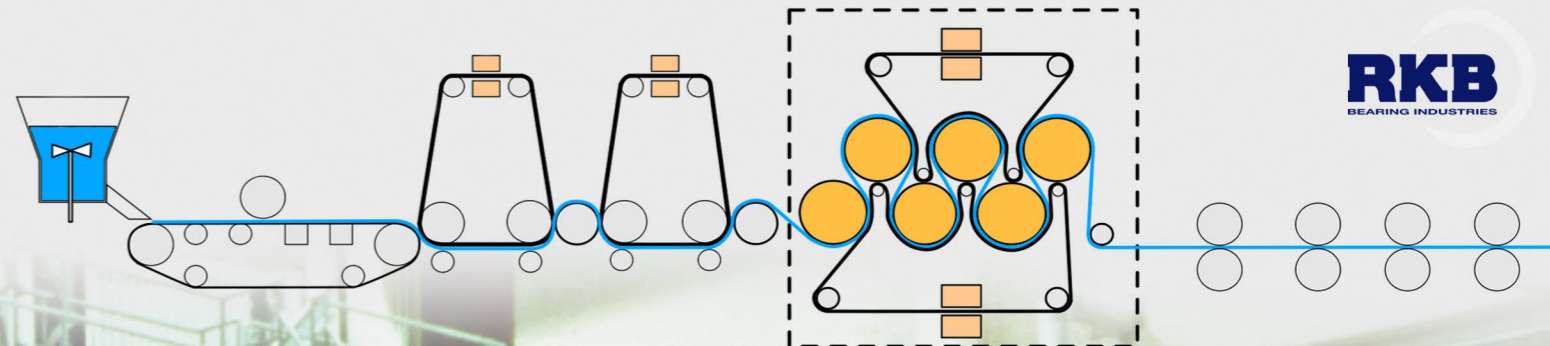


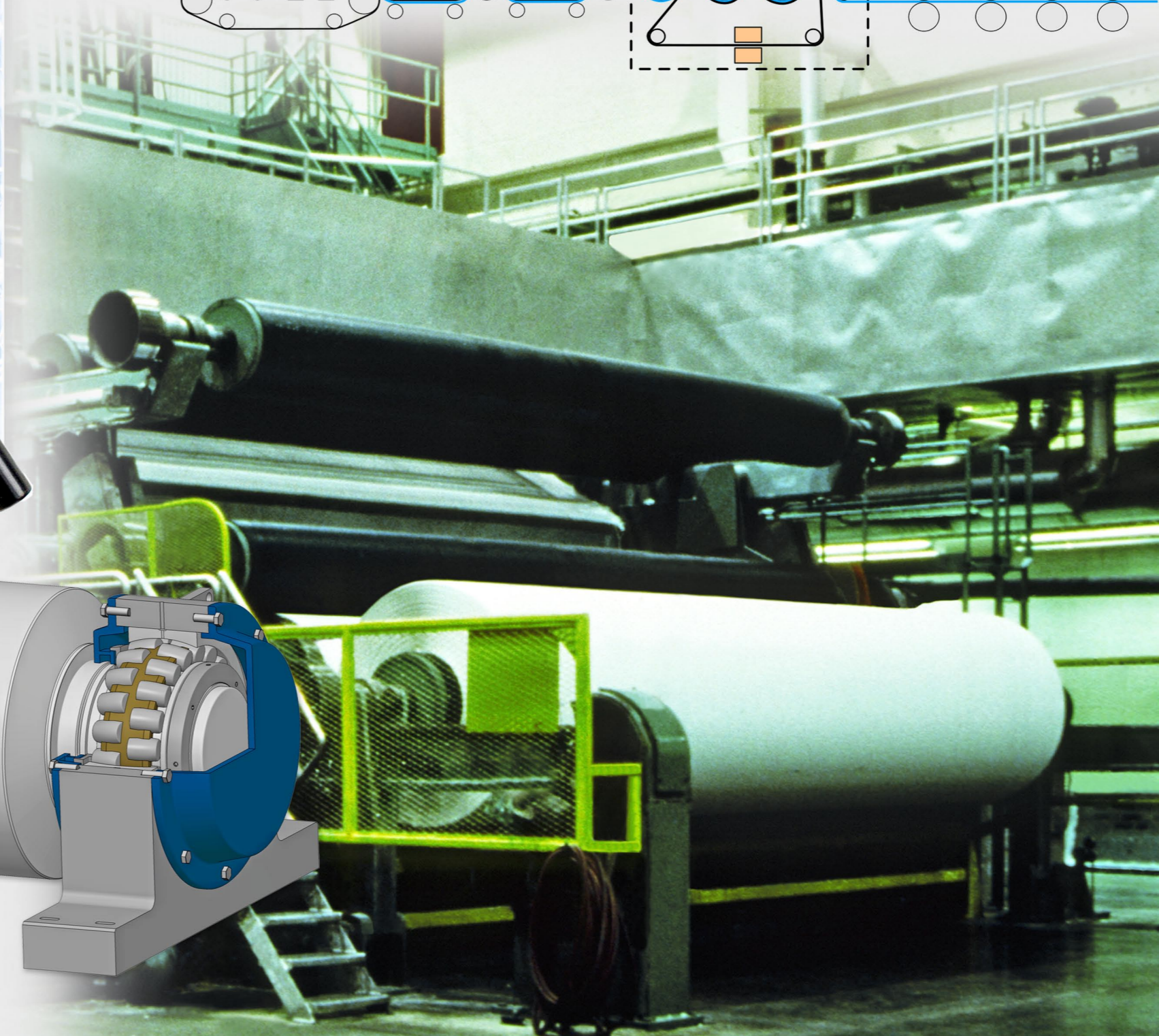


Main bearings: T3 Segment - Spherical roller bearings

**RKB**  
BEARING INDUSTRIES

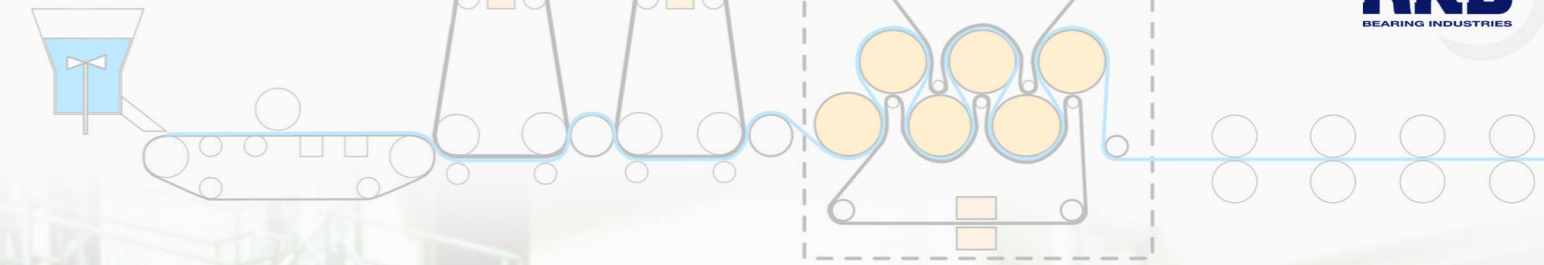


**Project '241 KPP VL'**  
**Pulp and paper calender mill**





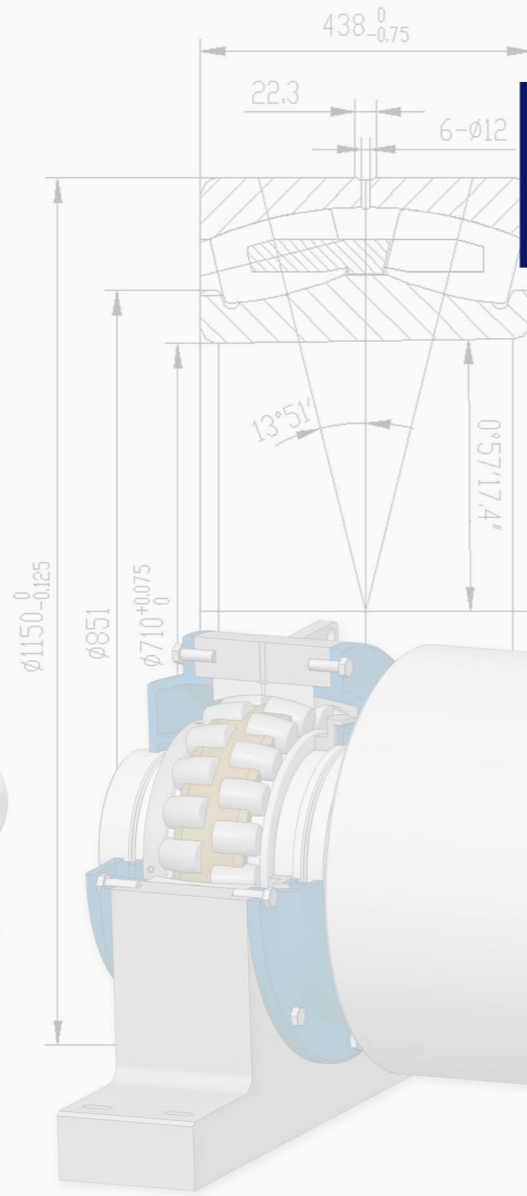
Main bearings: T3 Segment - Spherical roller bearings



RKB Victory Line premium class bearings for extended service life

Big size spherical and cylindrical roller bearings

Up to 710 mm inner diameter



**Project '241 KPP VL'**  
Pulp and paper calender mill

