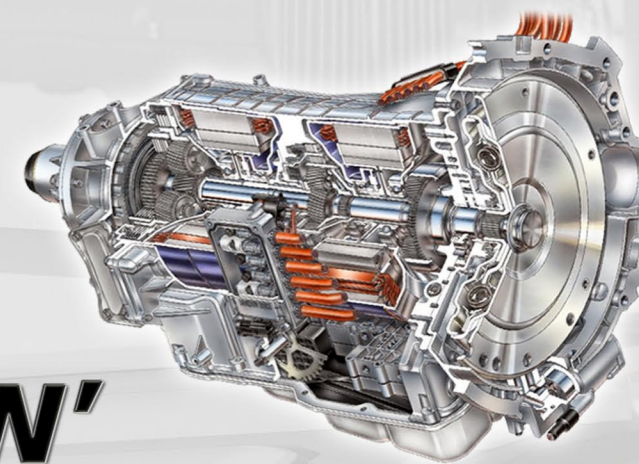
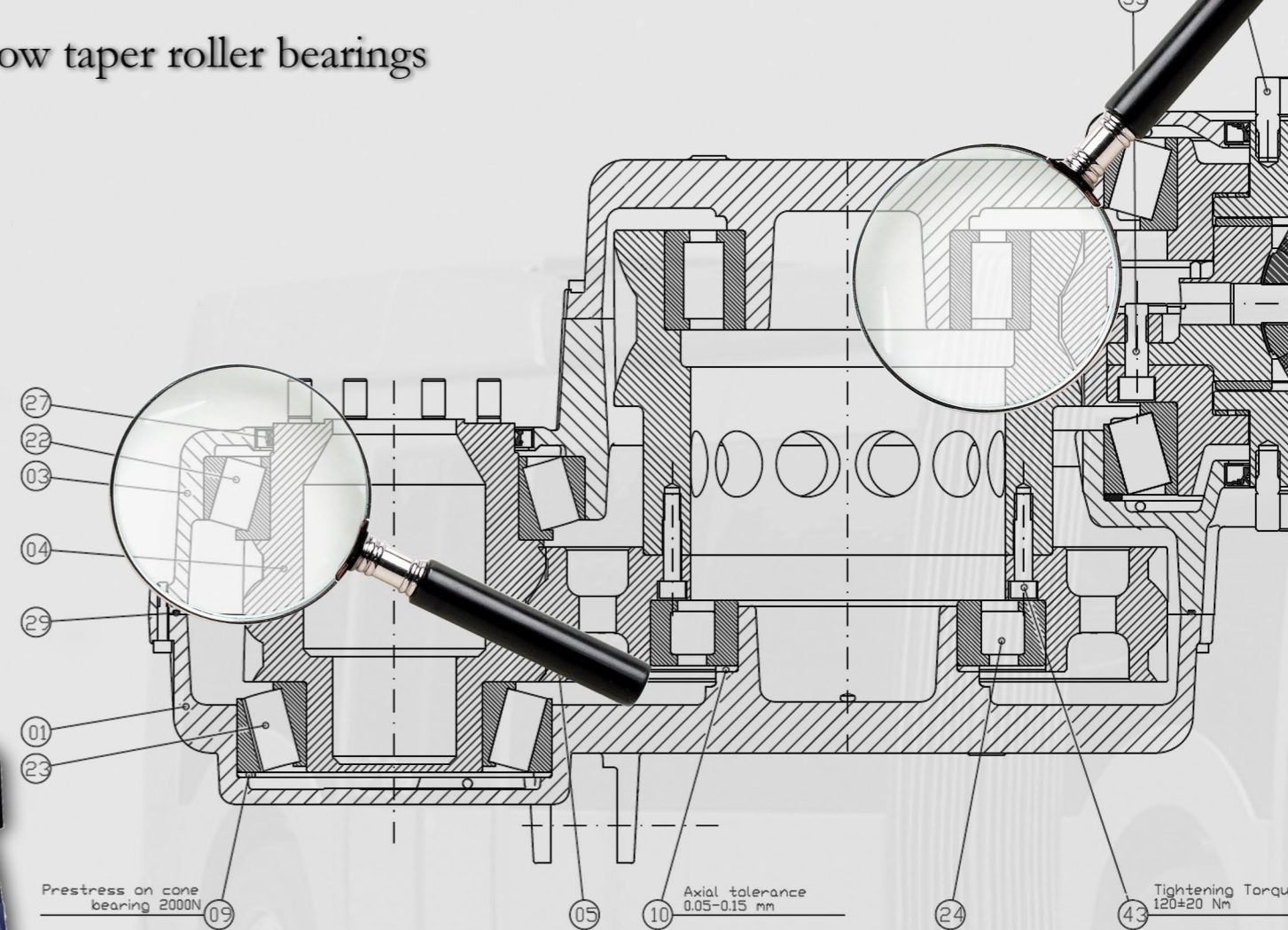
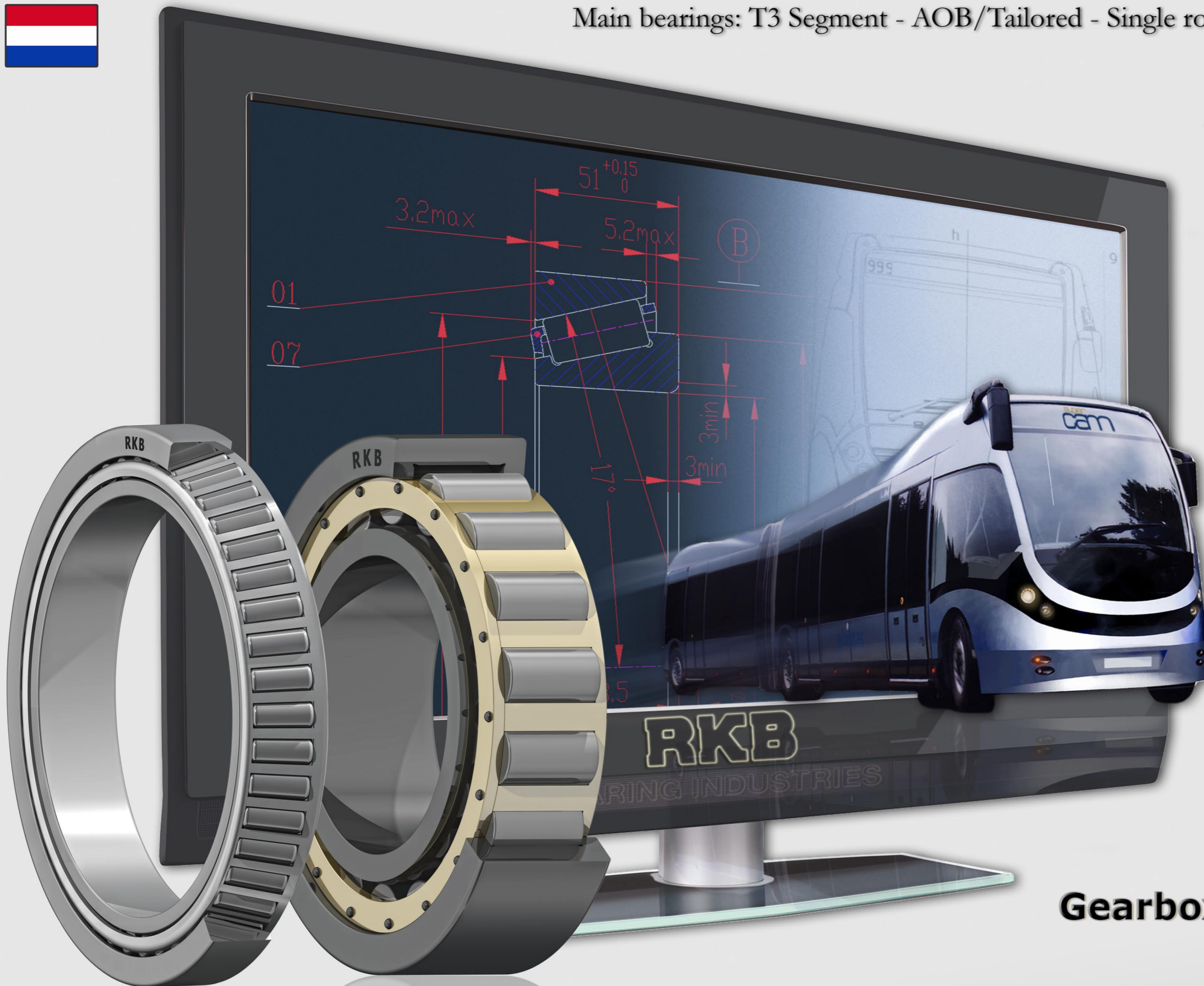




Main bearings: T3 Segment - AOB/Tailored - Single row taper roller bearings



**Project 'WW'**  
**Gearbox for the Euro city bus Phileas**  
**The tram on tyres**



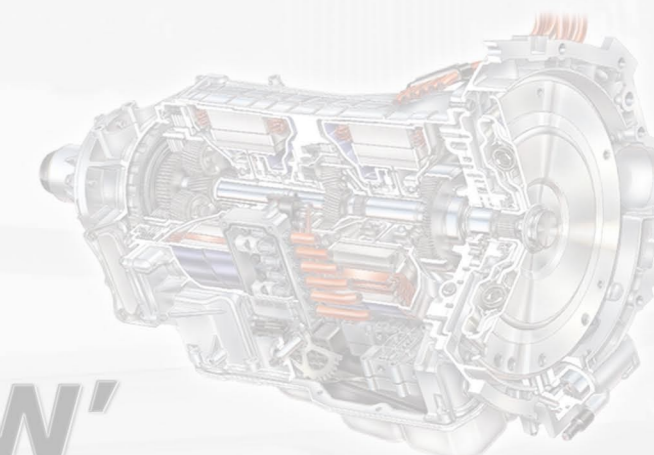
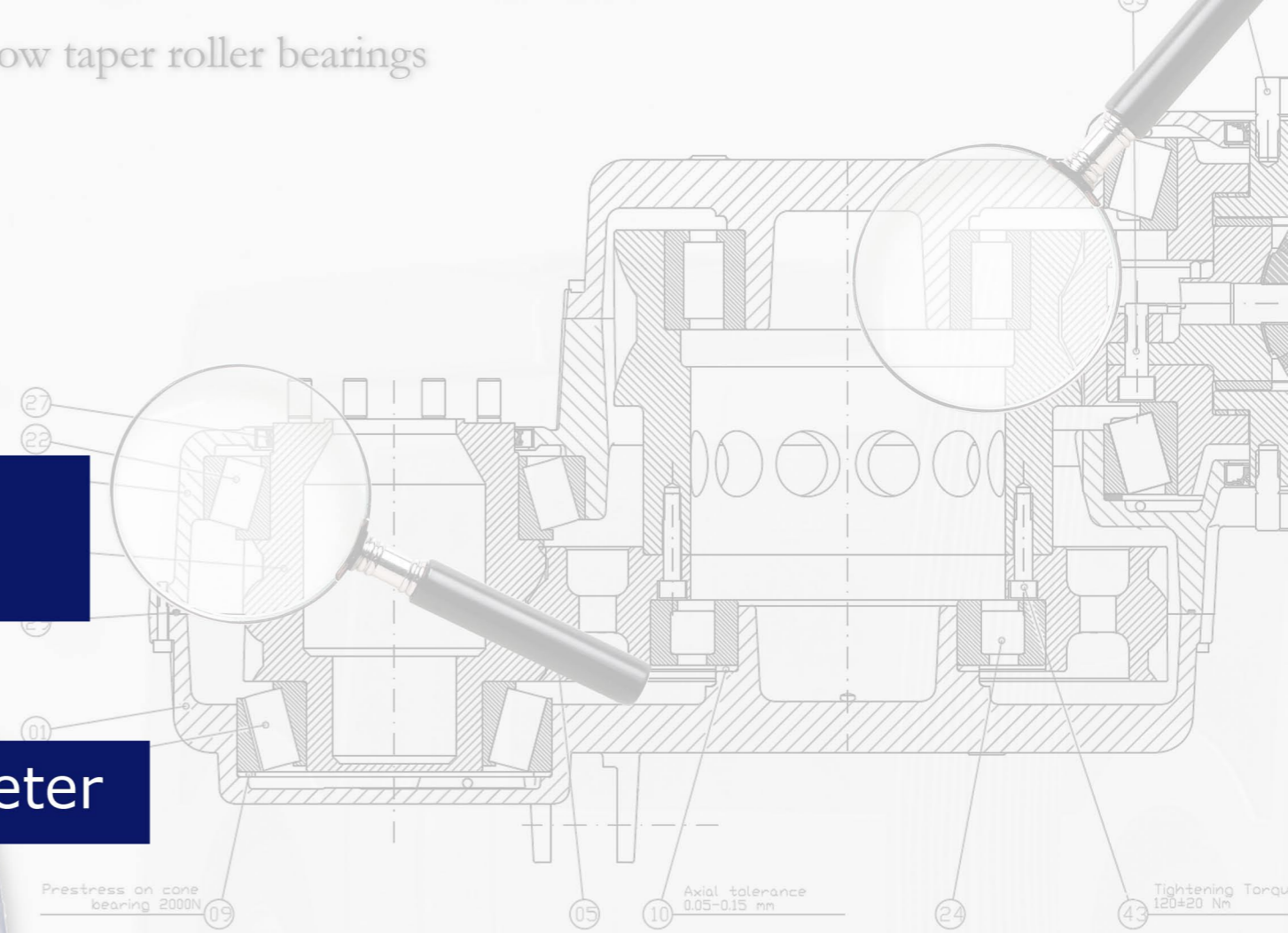


Main bearings: T3 Segment - AOB/Tailored - Single row taper roller bearings

Taper and cylindrical roller bearings (AOB)

Up to 280 mm inner diameter

Specified life > 1,8 millions kilometres of the vehicle



## Project 'WW'

Gearbox for the Euro city bus Phileas  
The tram on tyres

