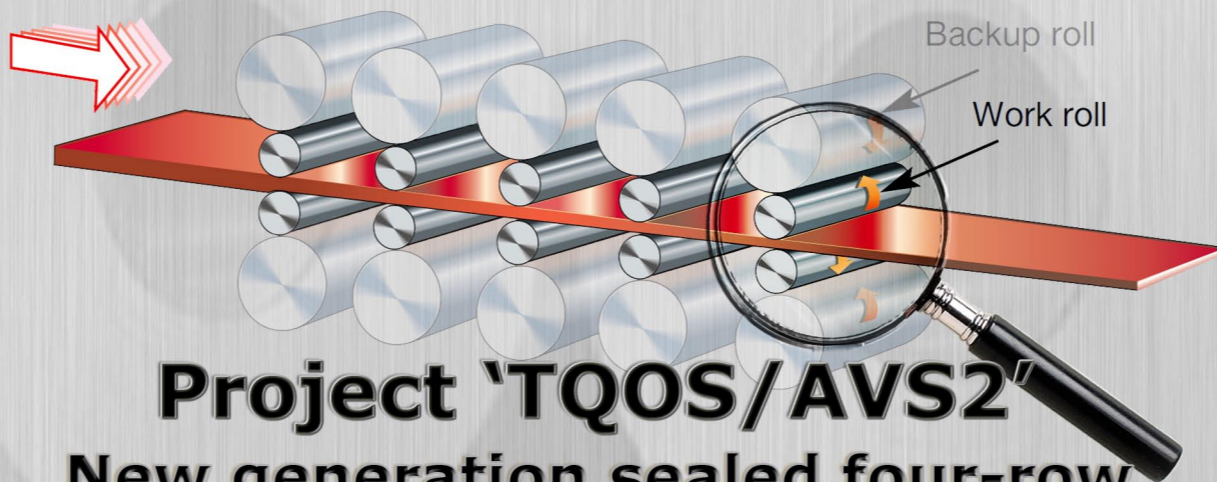
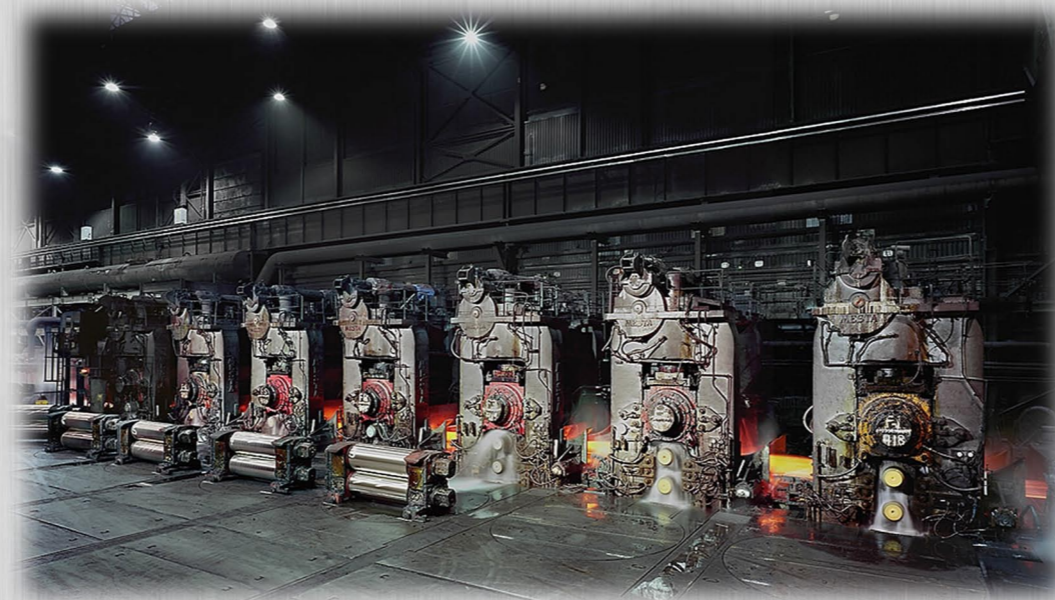
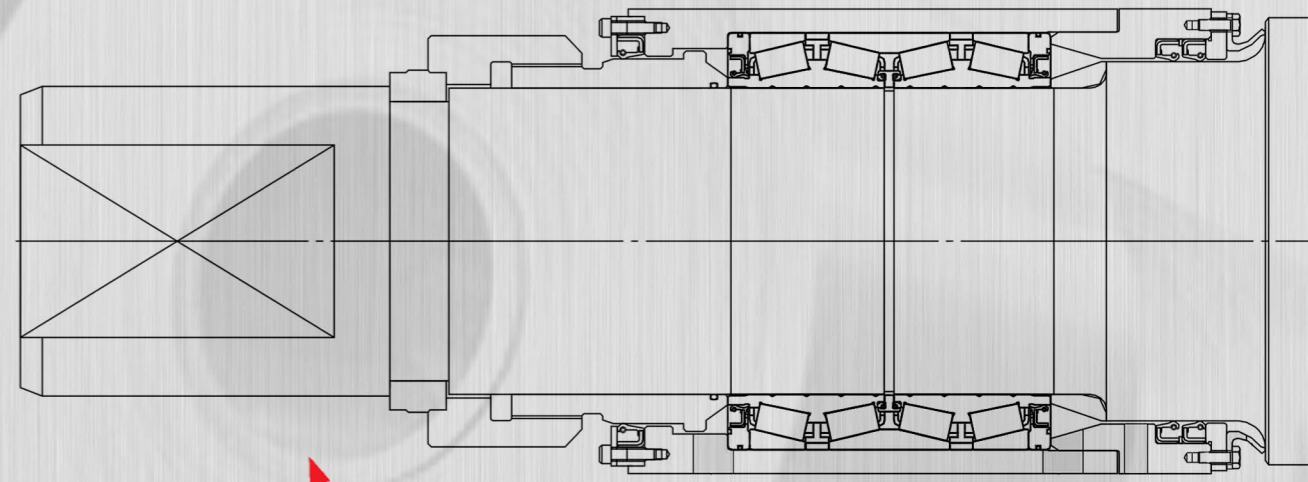
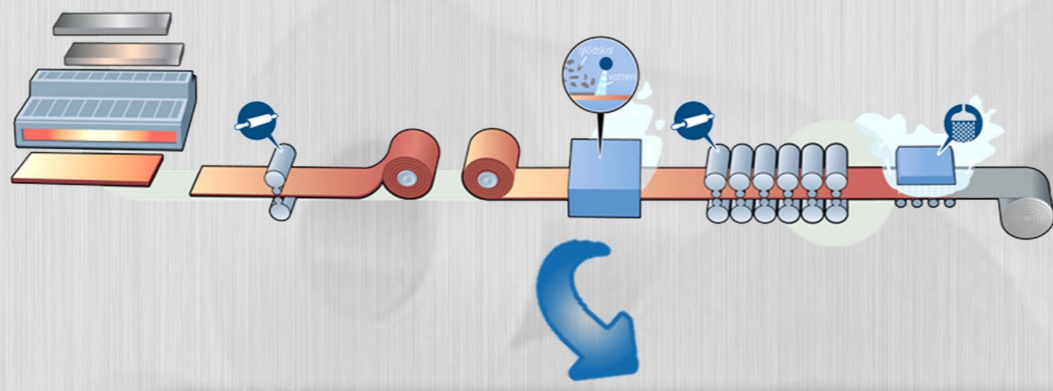
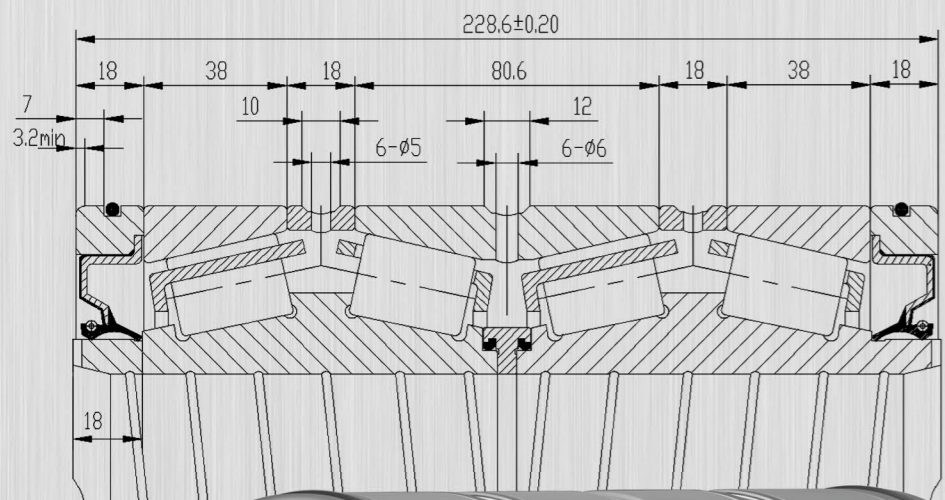
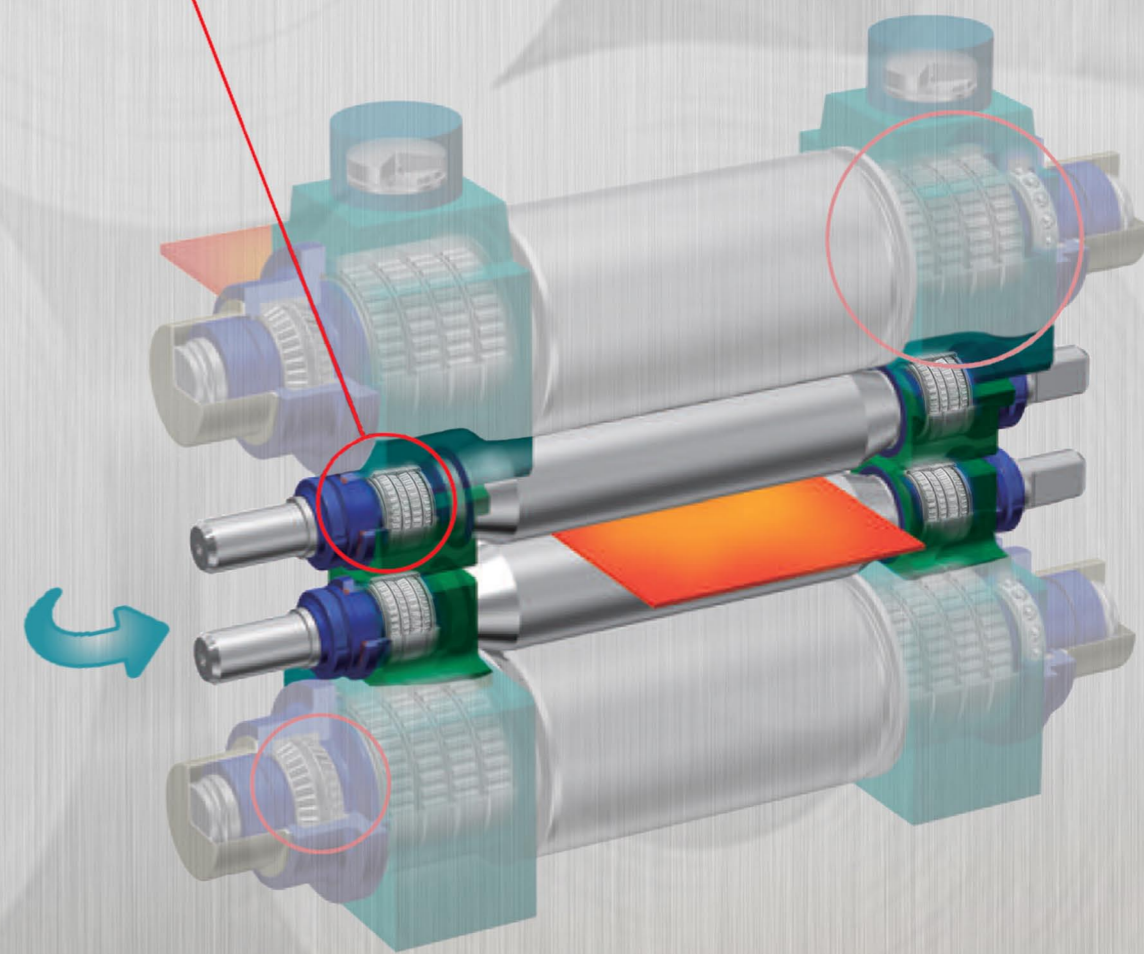




Main bearings:
T3 Segment - Sealed four-row taper roller bearings

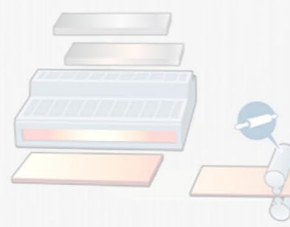
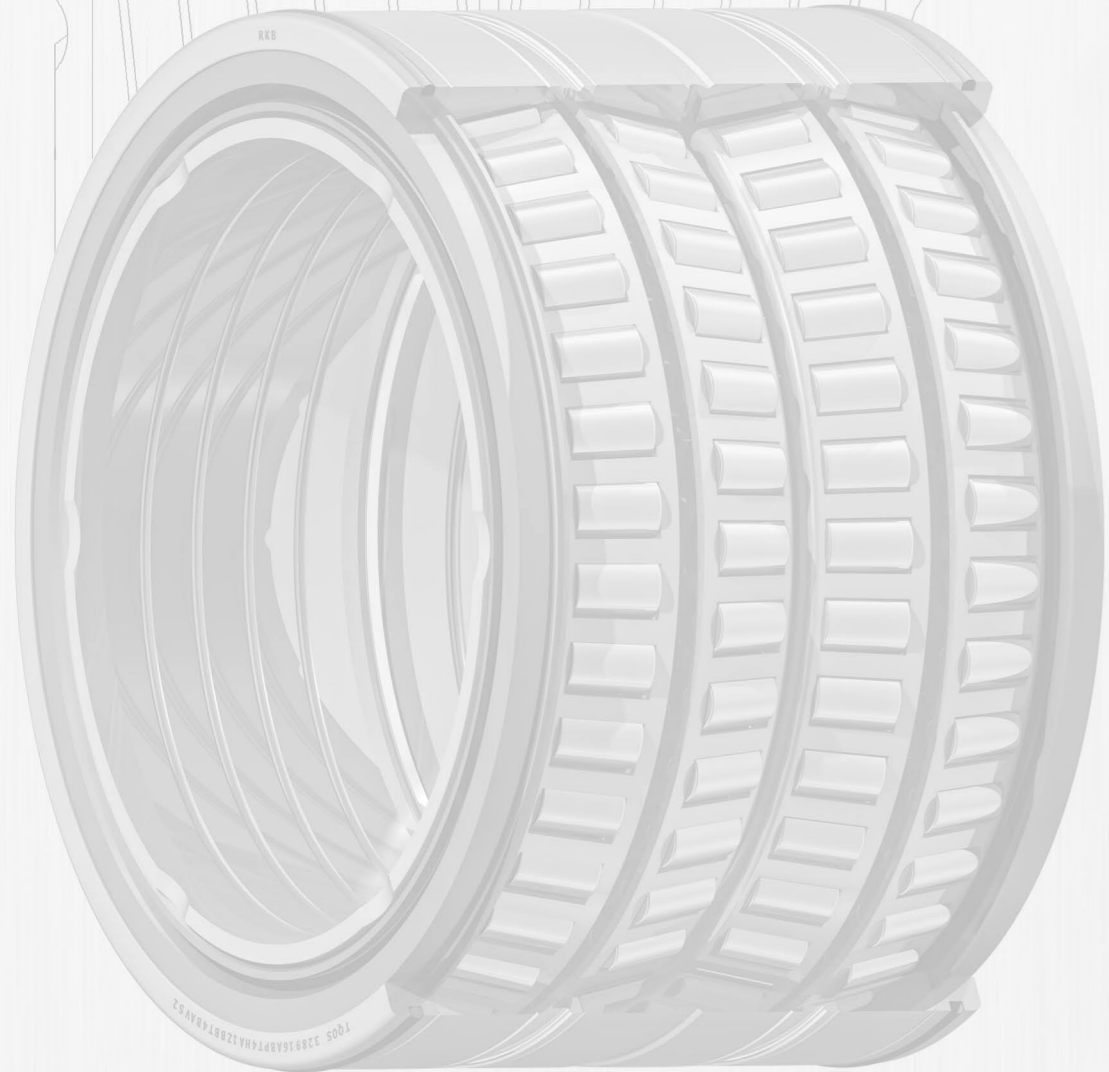
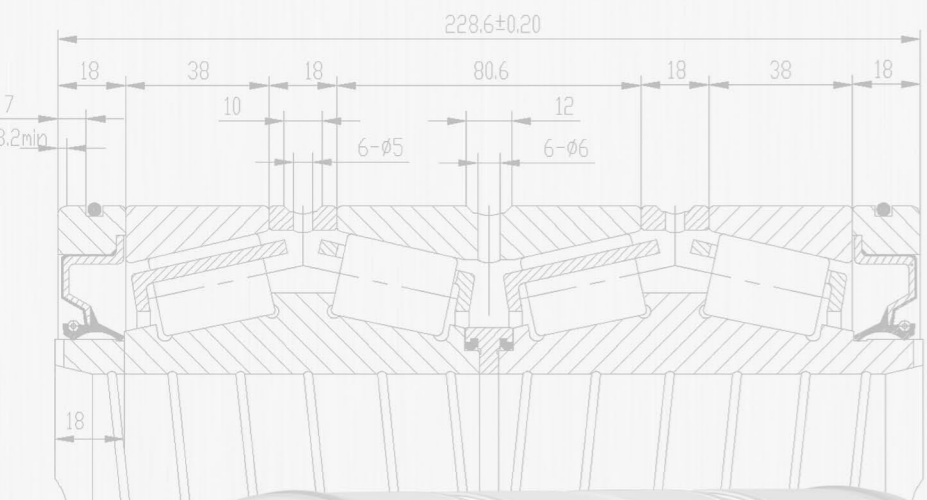


Project 'TQOS/AVS2'
New generation sealed four-row
taper roller bearings

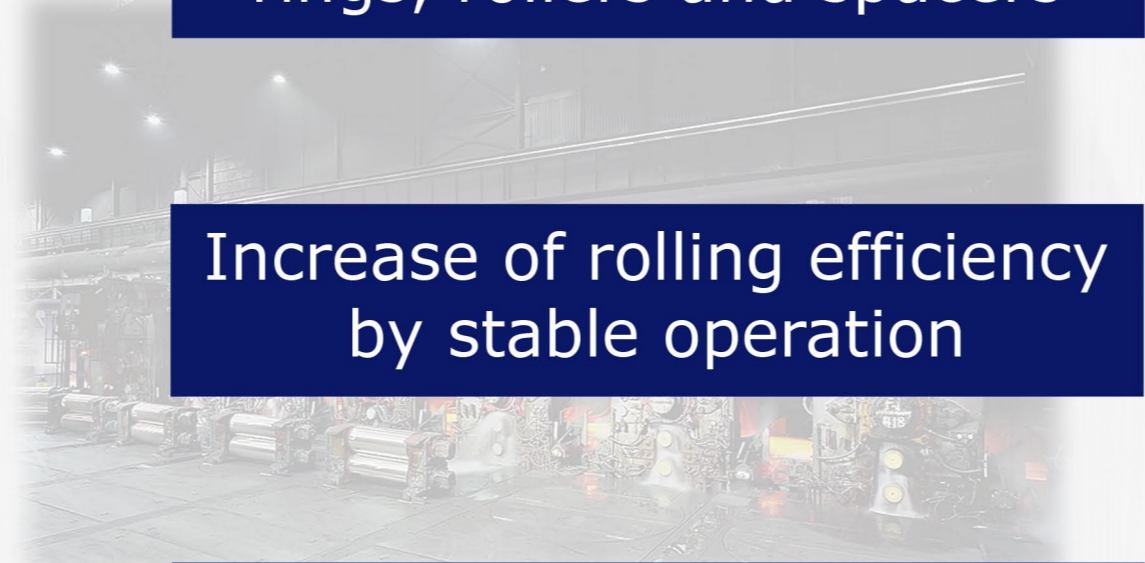
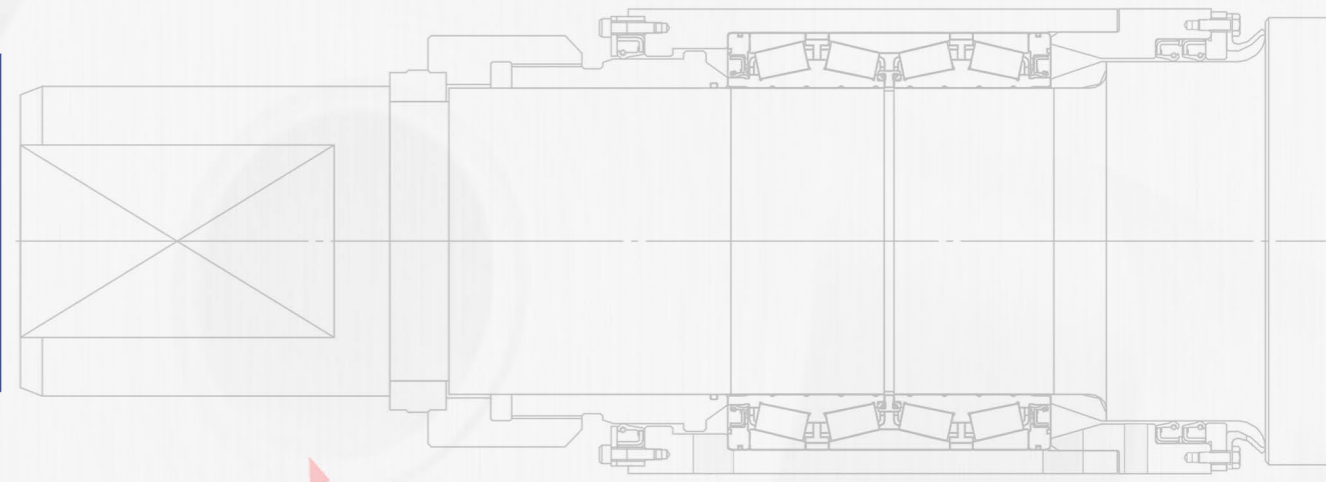




Main bearings:
T3 Segment - Sealed four-row taper roller bearings

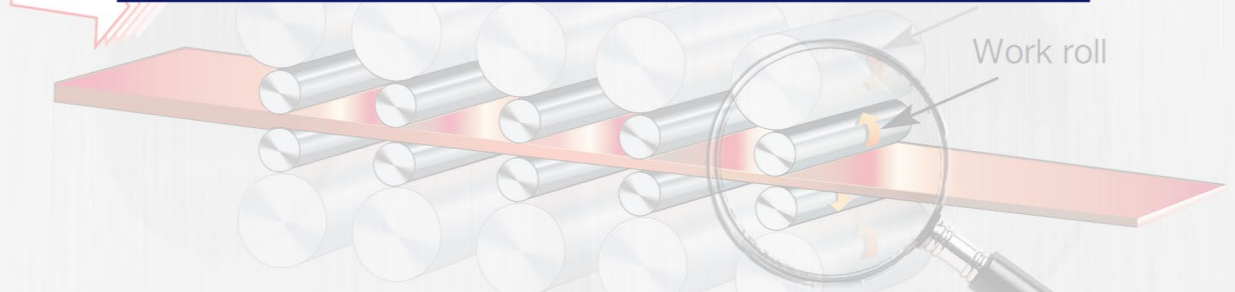


Long Life Series
Phosphate treatment for rings, rollers and spacers



Increase of rolling efficiency by stable operation

Easier handling of seals



Project 'TQOS/AVS2'
New generation sealed four-row taper roller bearings

