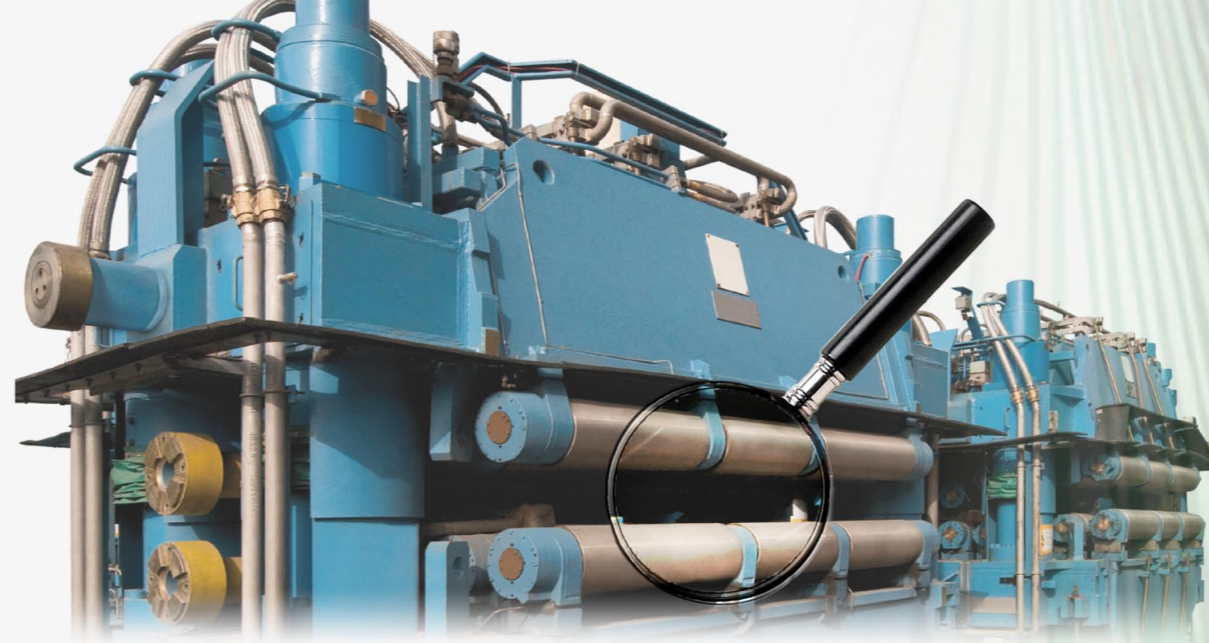
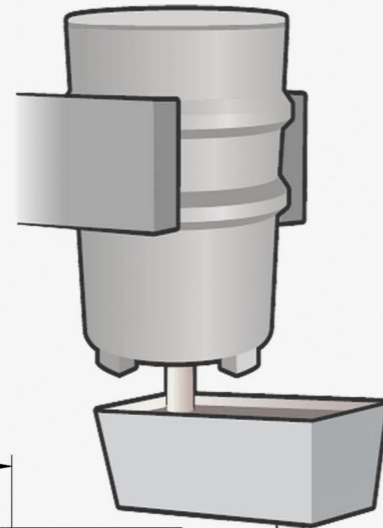
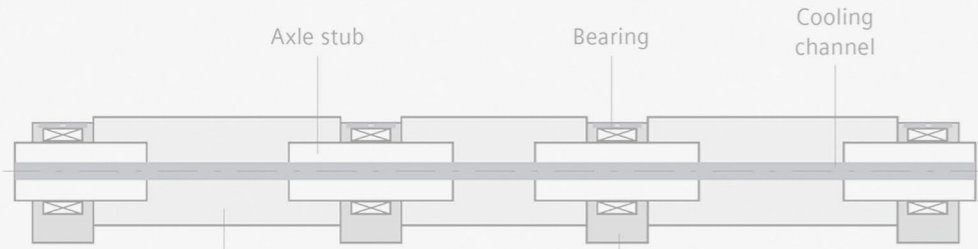
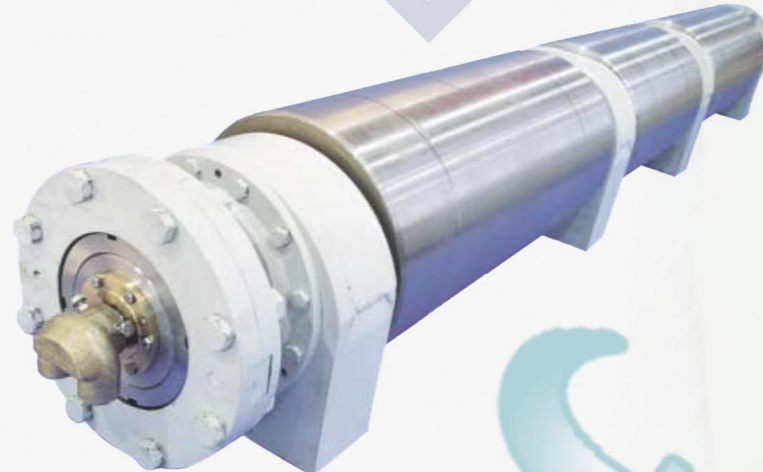
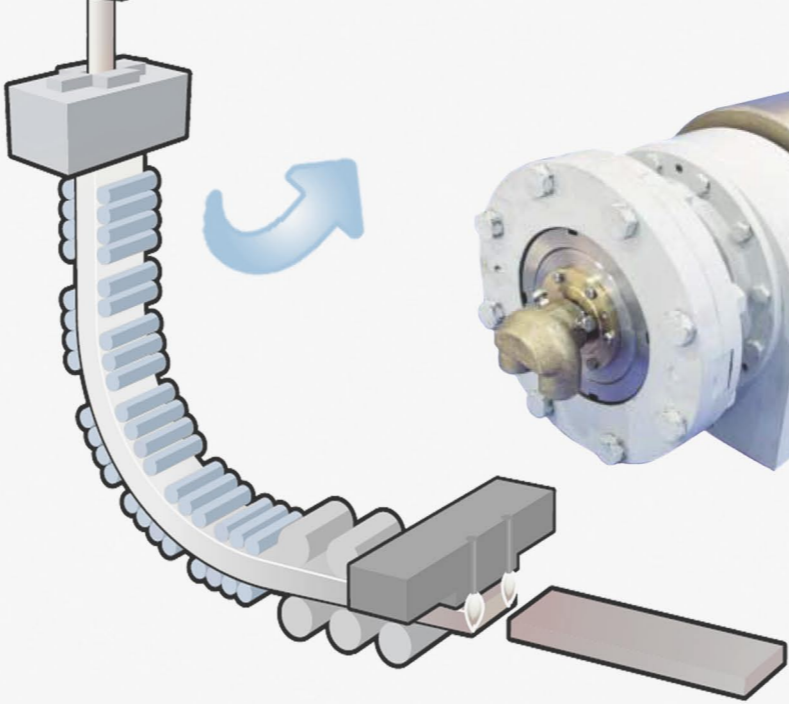
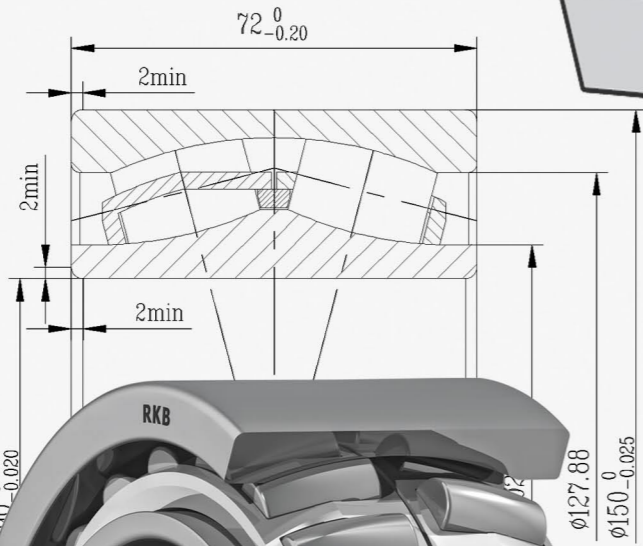
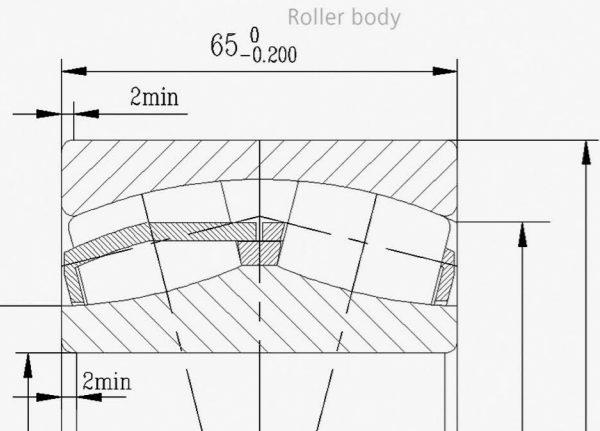




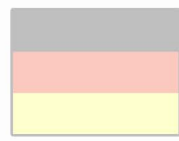
Main bearings: T3 Segment
AOB/Tailored - Spherical roller bearings



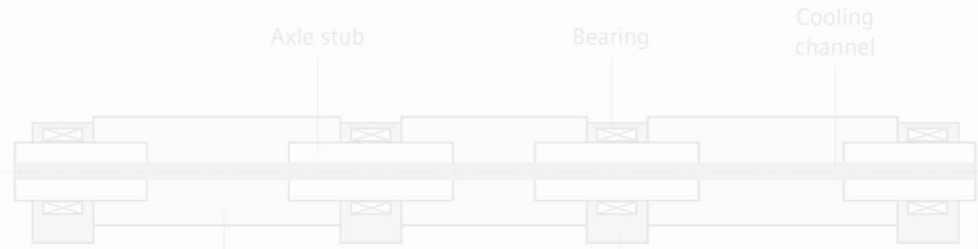
SMART Segments



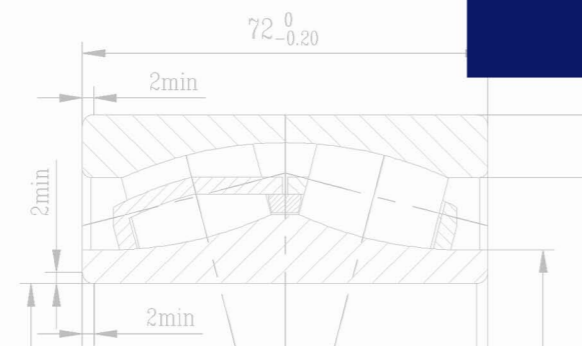
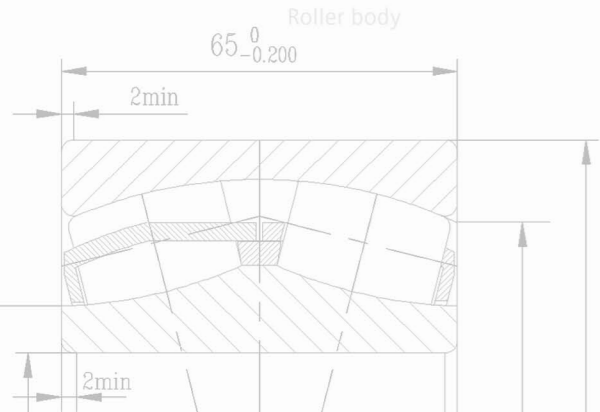
Project 'SRB'
Continuous slab casting machine/special guide rolls



Main bearings: T3 Segment
AOB/Tailored - Spherical roller bearings



Low cross section spherical roller bearings for guide rolls of continuous slab casting in hot strip mills



Up to 170mm outer diameter

Out of standard window type cage

Stabilized S3



Project 'SRB'
Continuous slab casting machine/special guide rolls

