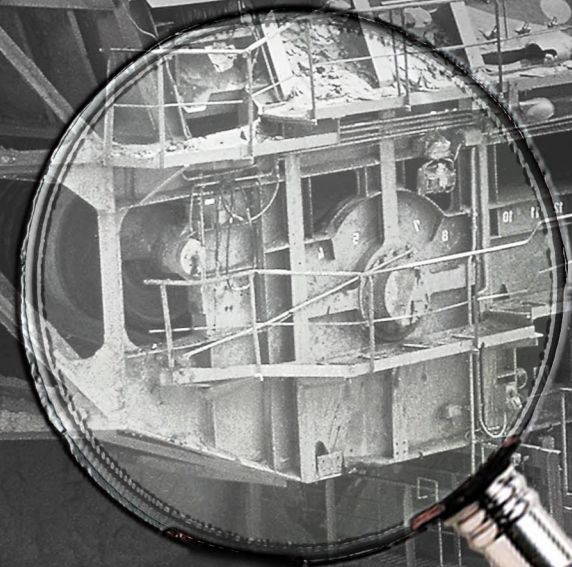
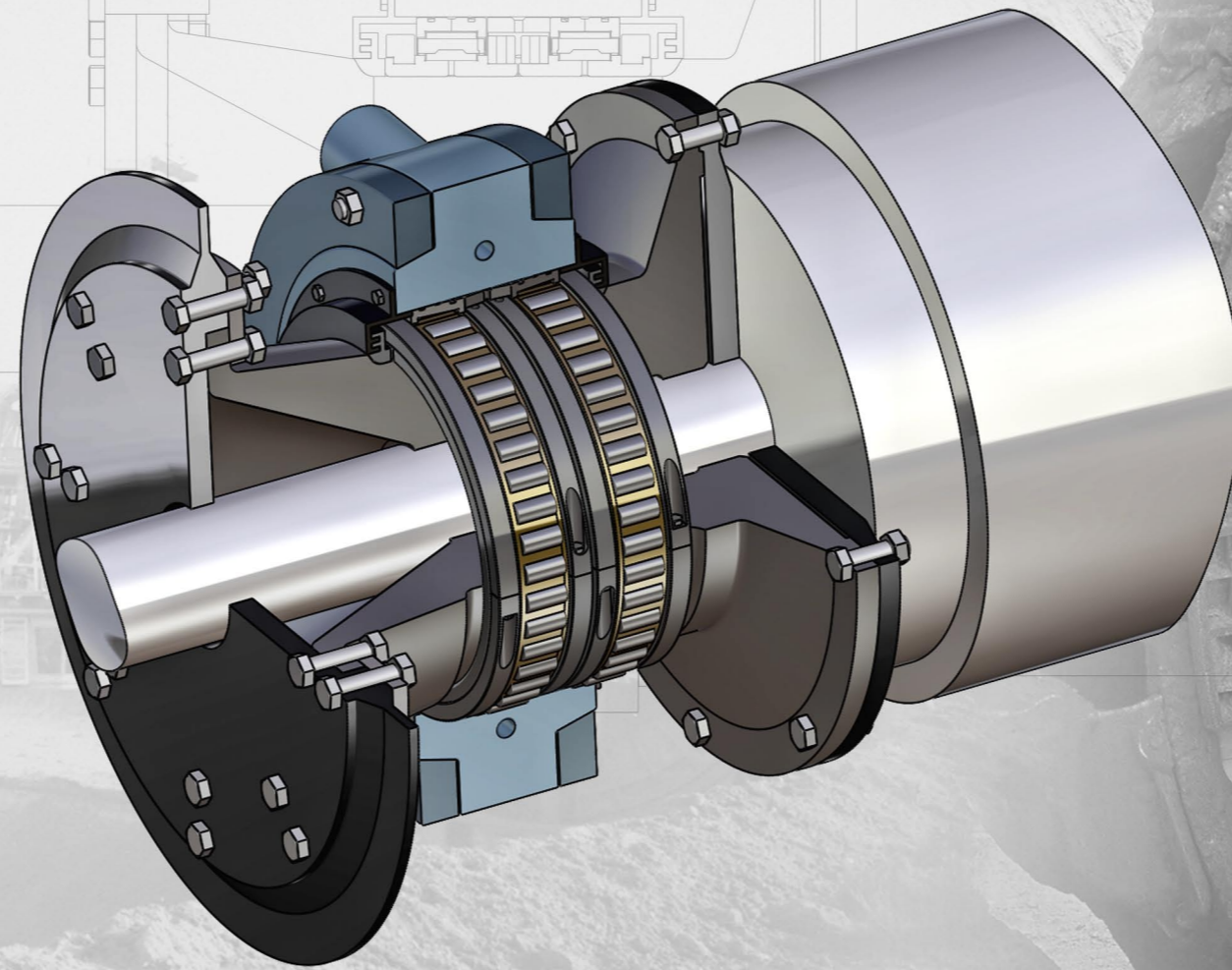
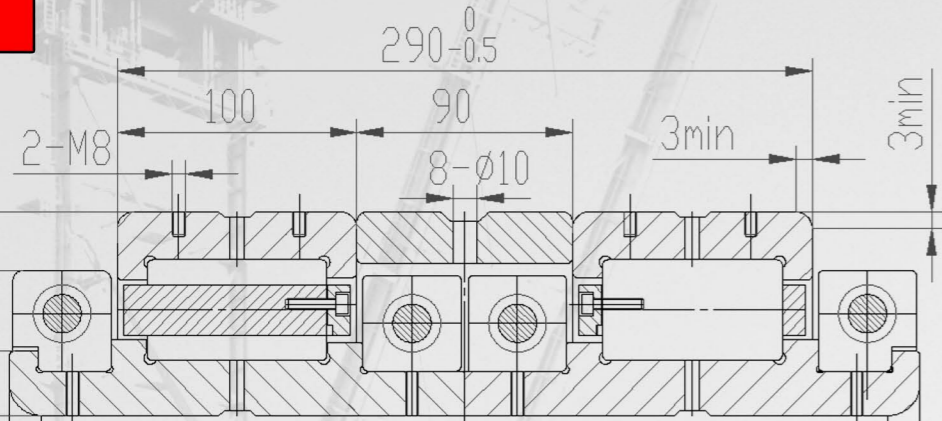




Main bearings: T3 Segment - Split double-row cylindrical roller bearings



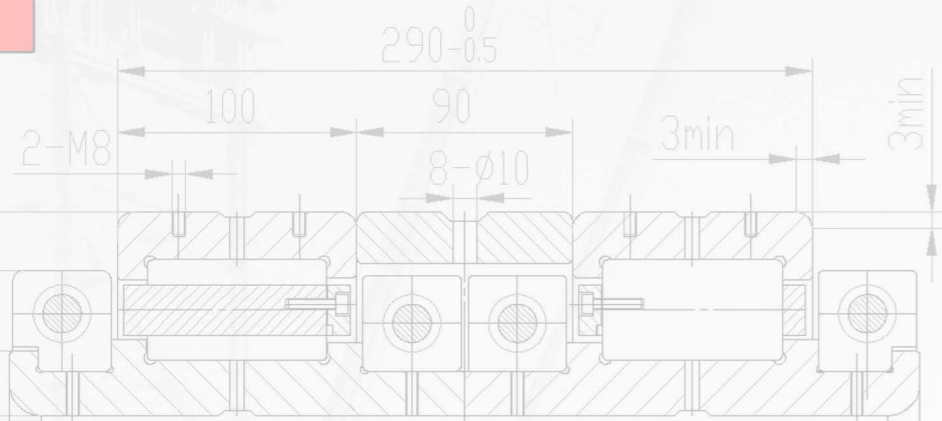
Project 'SCRB'

Bucket wheel excavator main shaft





Main bearings: T3 Segment - Split double-row cylindrical roller bearings



Time saving in
hard-to-reach positions

Manufacturing technology
and expertise
for maximum reliability

Engineered for modified
ISO life $L_{10mh} > 20000$ h

Up to 780 mm outer diameter

Safety factor (S_0) > 3

Project 'SCRB'

Bucket wheel excavator main shaft