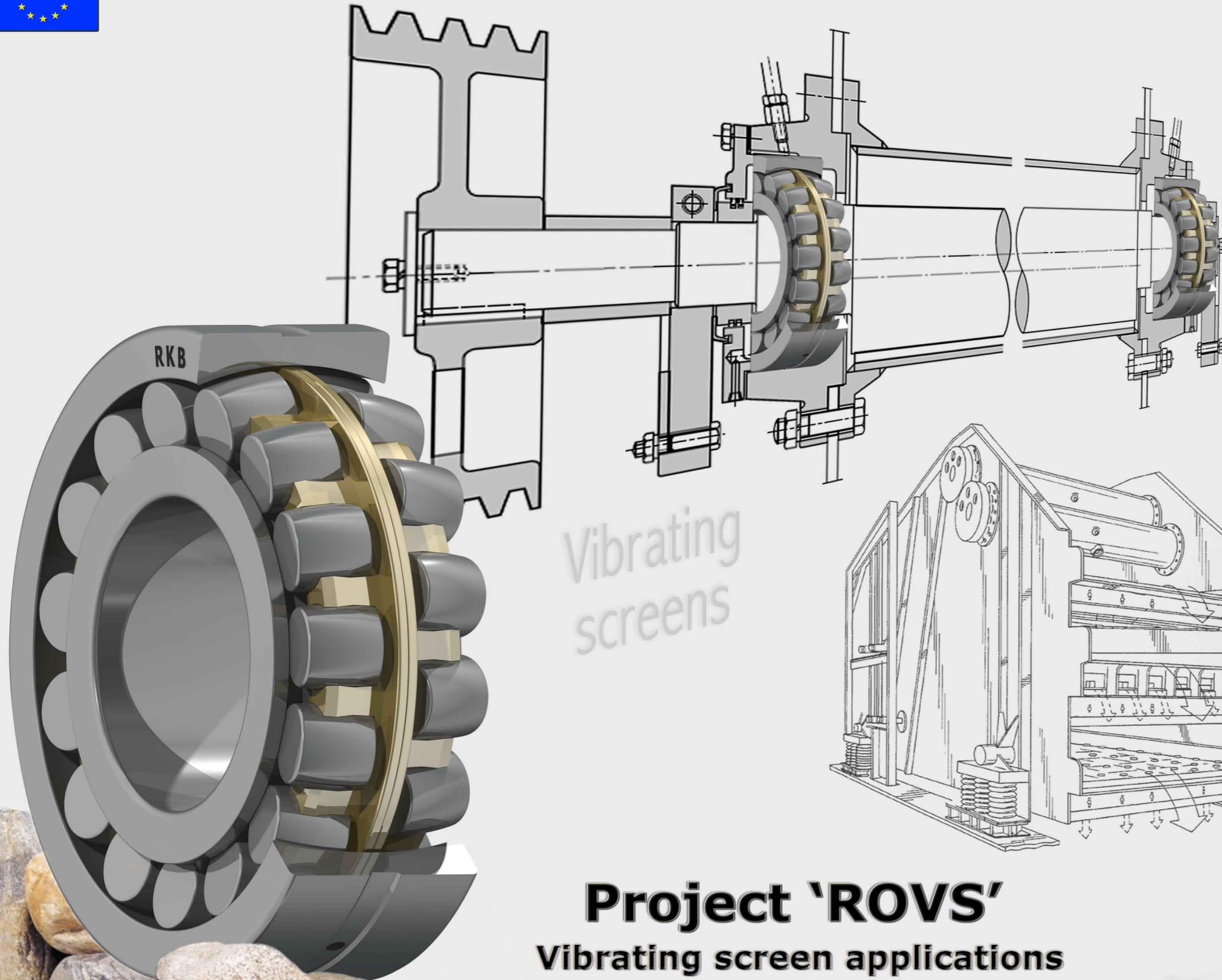
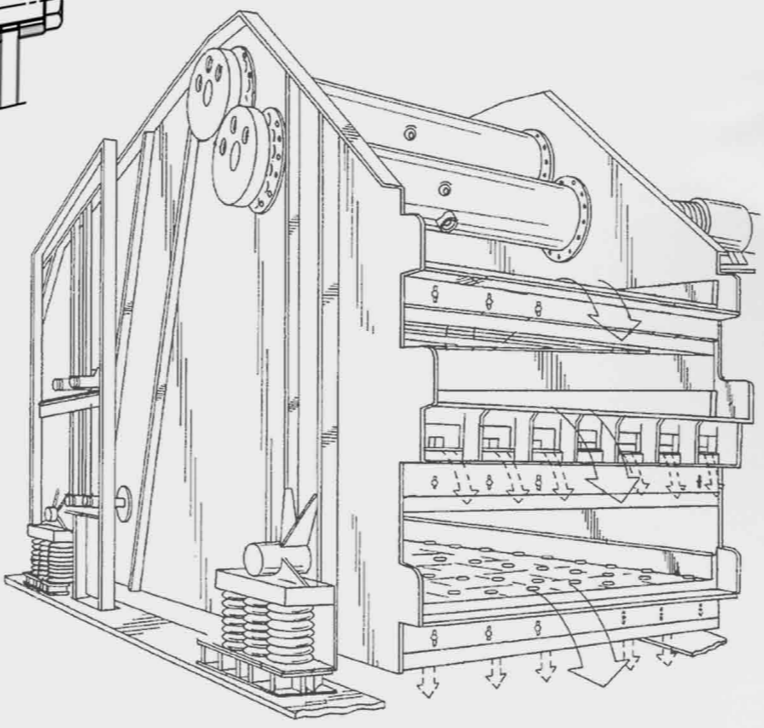




Main bearings: T3 Segment - AOB/Tailored - Spherical roller bearings



Vibrating screens



Project 'ROVS'
Vibrating screen applications
for mines and mineral industry

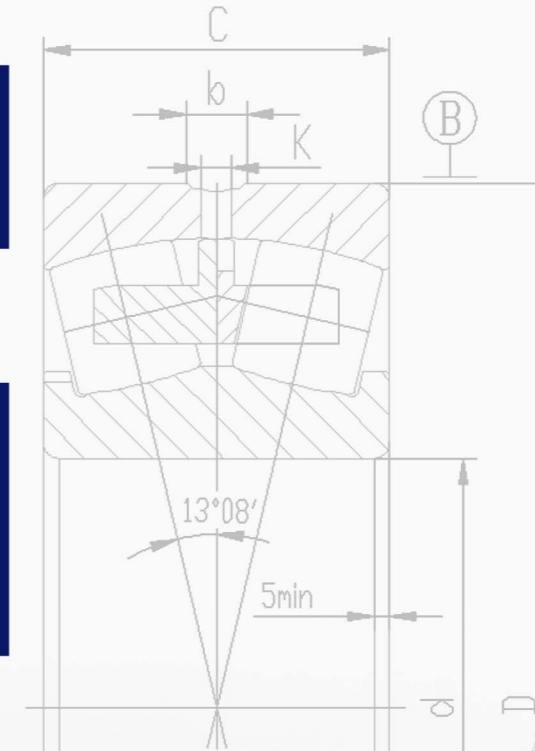


Bainite treatment and stabilization for rings (HB+S1)

Outer ring guided cage
MA design with open-end design for better lubrication

Controlled radial clearance in restricted range

Higher precision class than standard 223 series



Project 'ROVS'
Vibrating screen applications for mines and mineral industry

Vibrating screens

