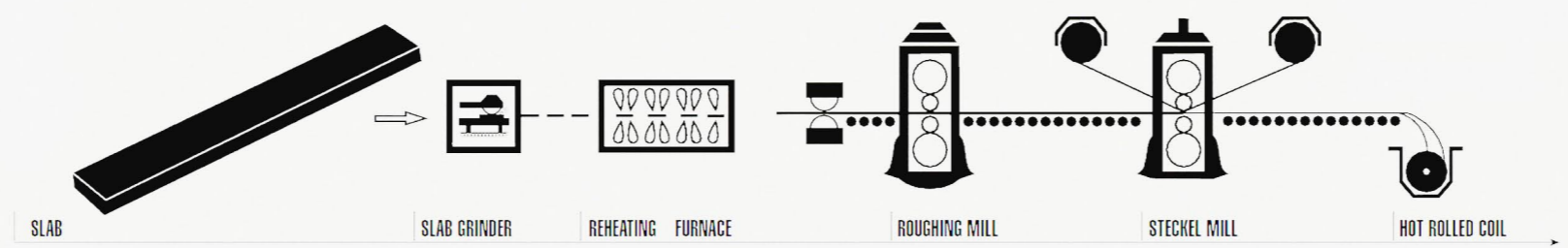
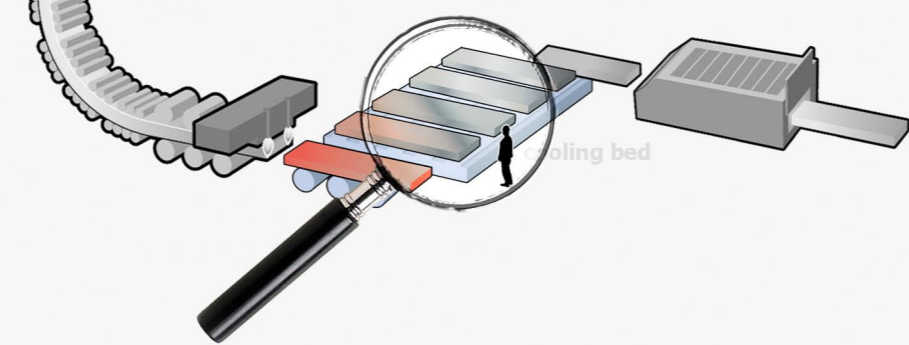
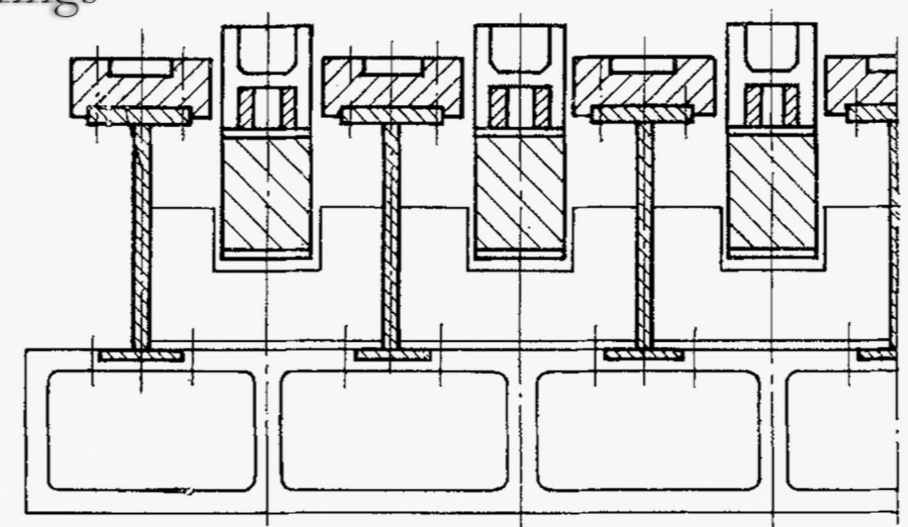
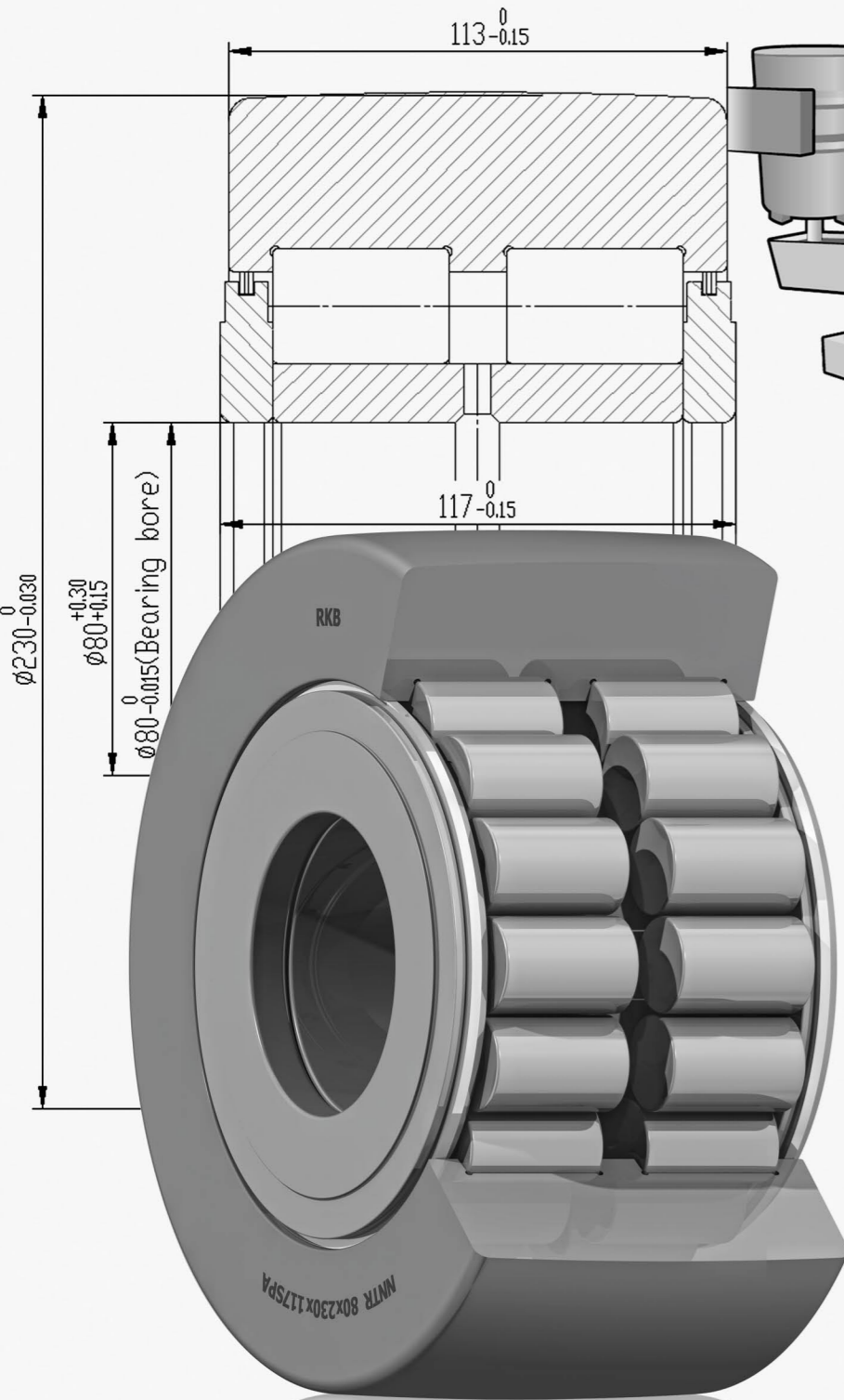




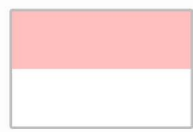
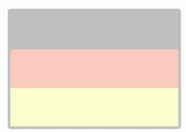
Main bearings: T3 Segment -
Double row full complement cylindrical roller bearings



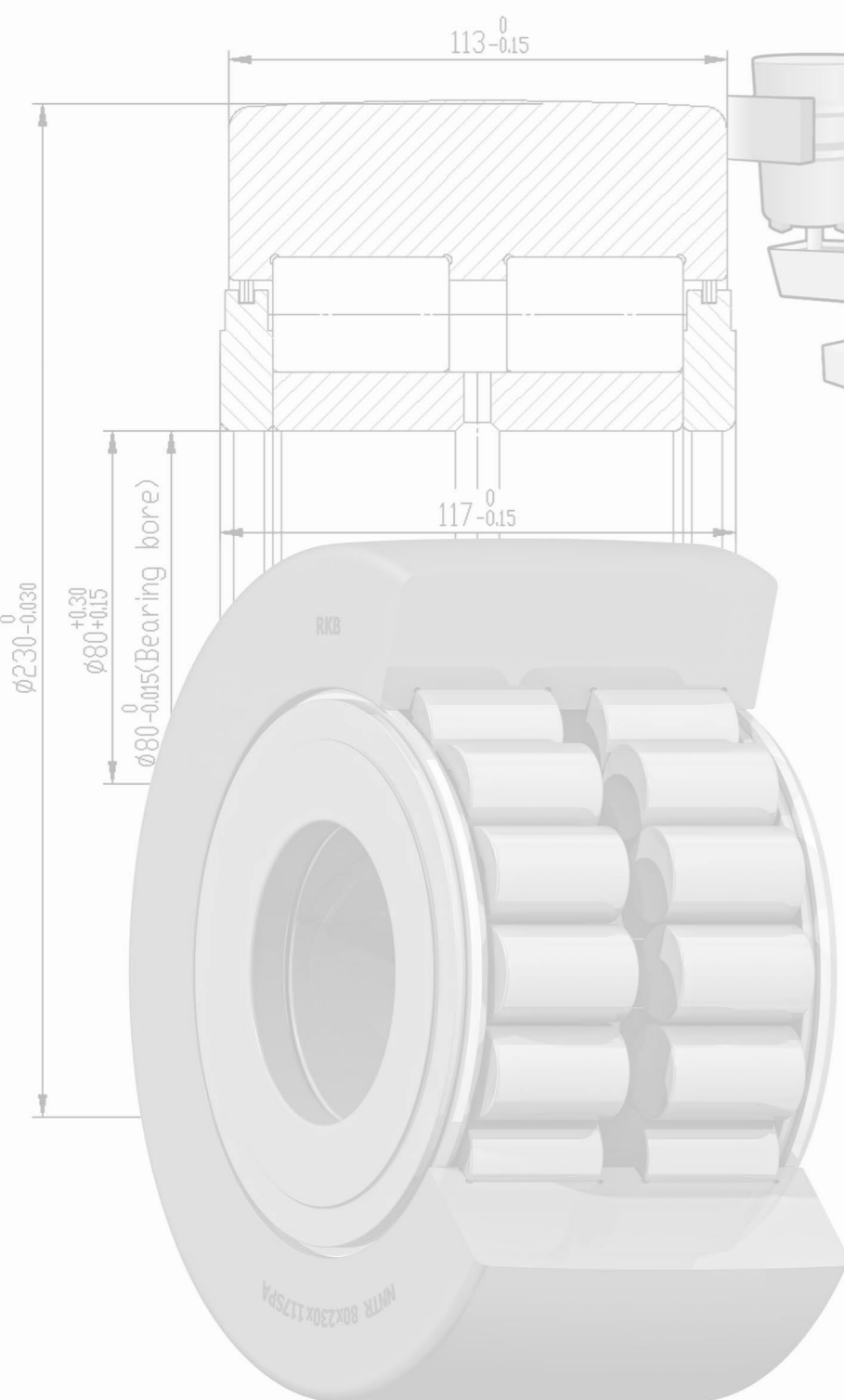
Project 'NNTR/SPA'

Supporting/track roller bearings for slab conveyor chain of hot strip mill





Main bearings: T3 Segment -
Double row full complement cylindrical roller bearings

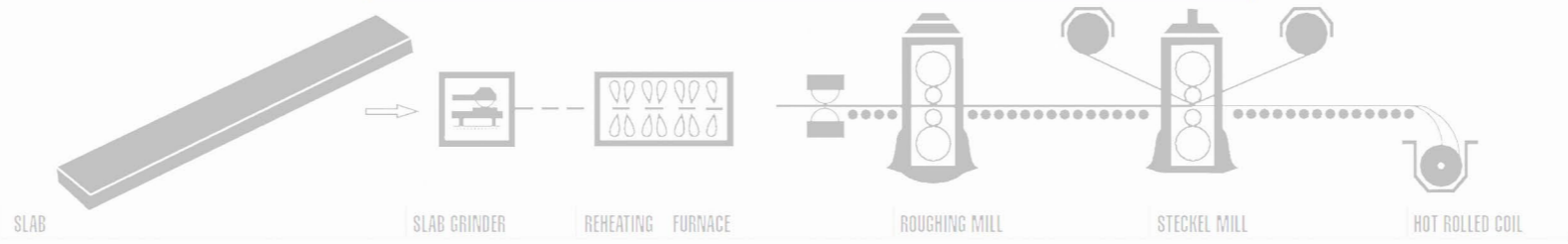


Cr > 750 (ISO 281 calculated)

AWT Anti-wear technology for extended service life

HB2 Bainite treatment for outer ring

Reinforced execution



Project 'NNTR/SPA'
Supporting/track roller bearings
for slab conveyor chain of hot strip mill

