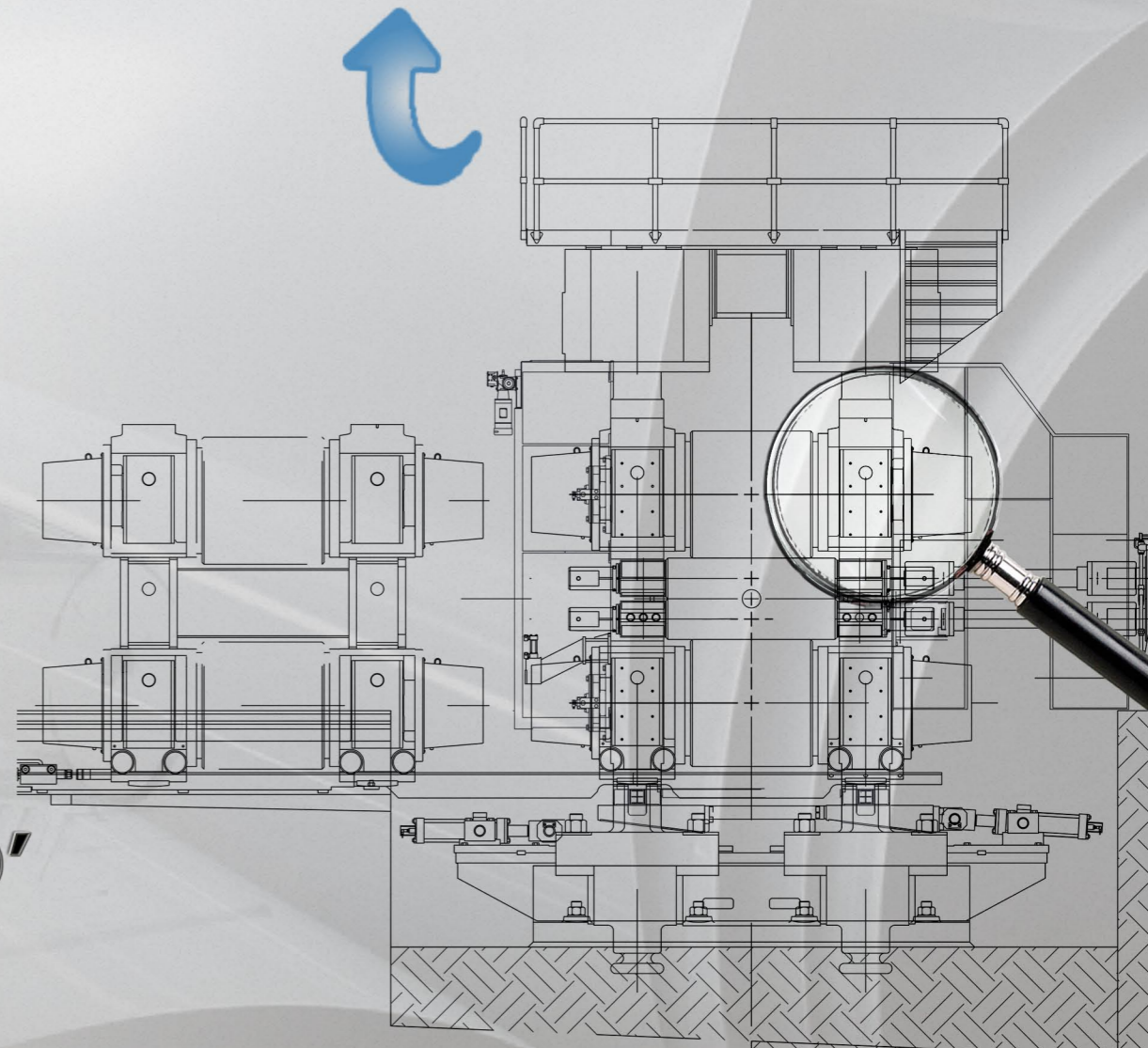
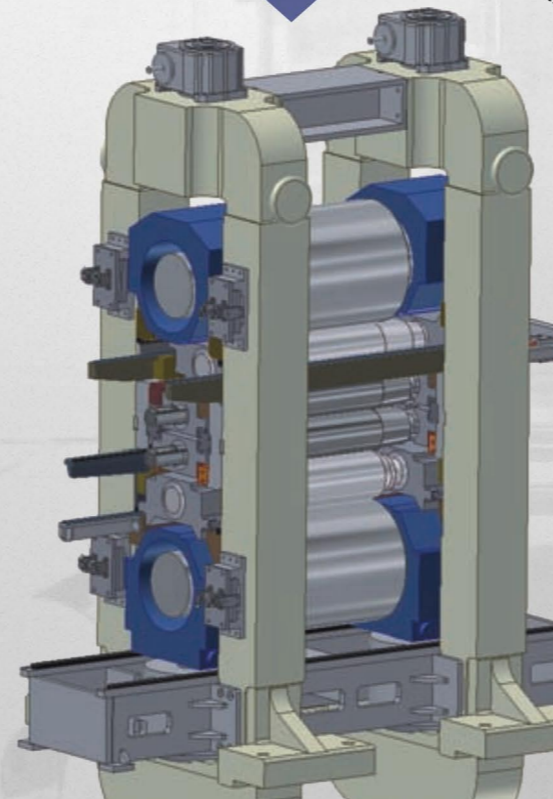
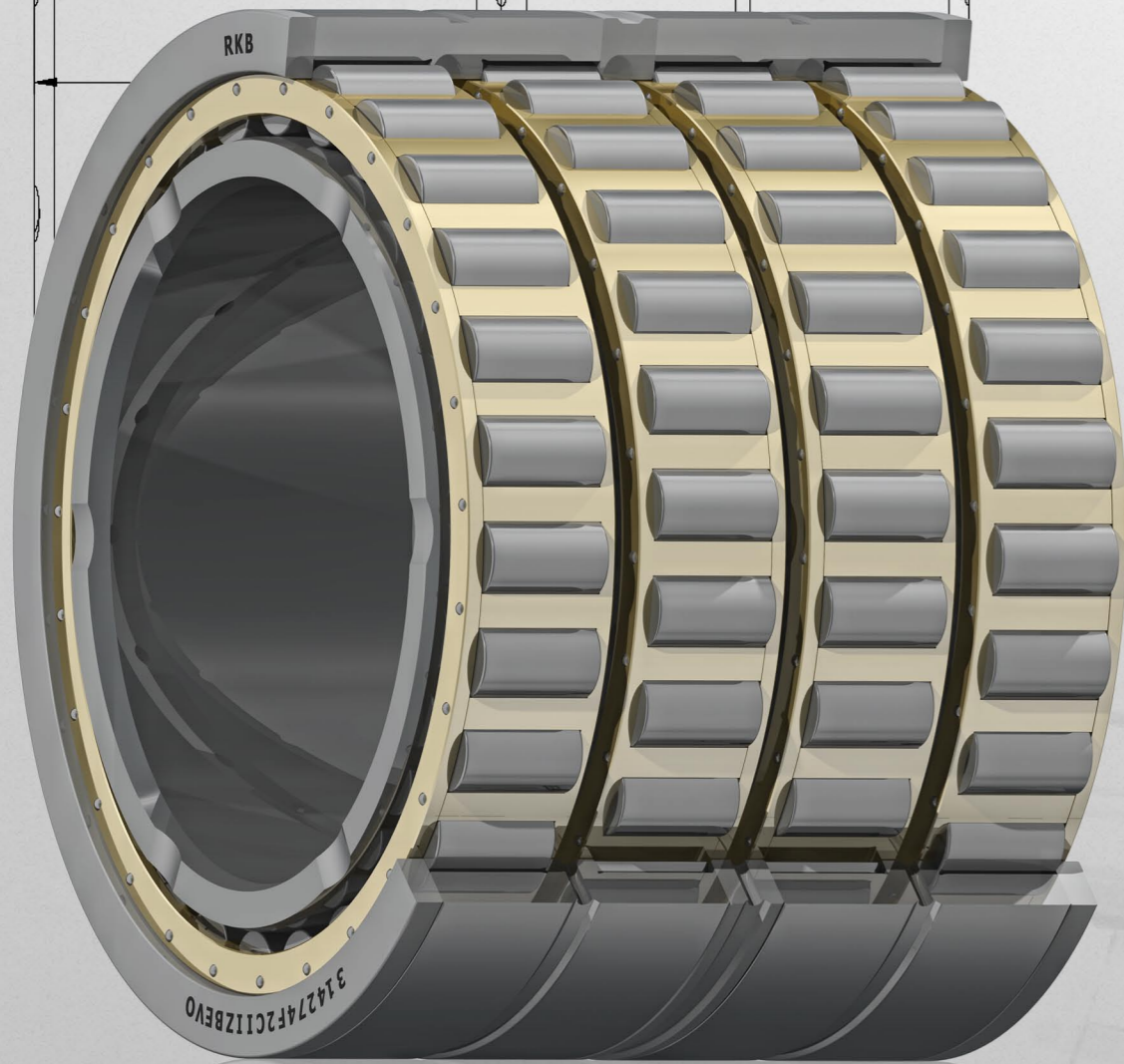
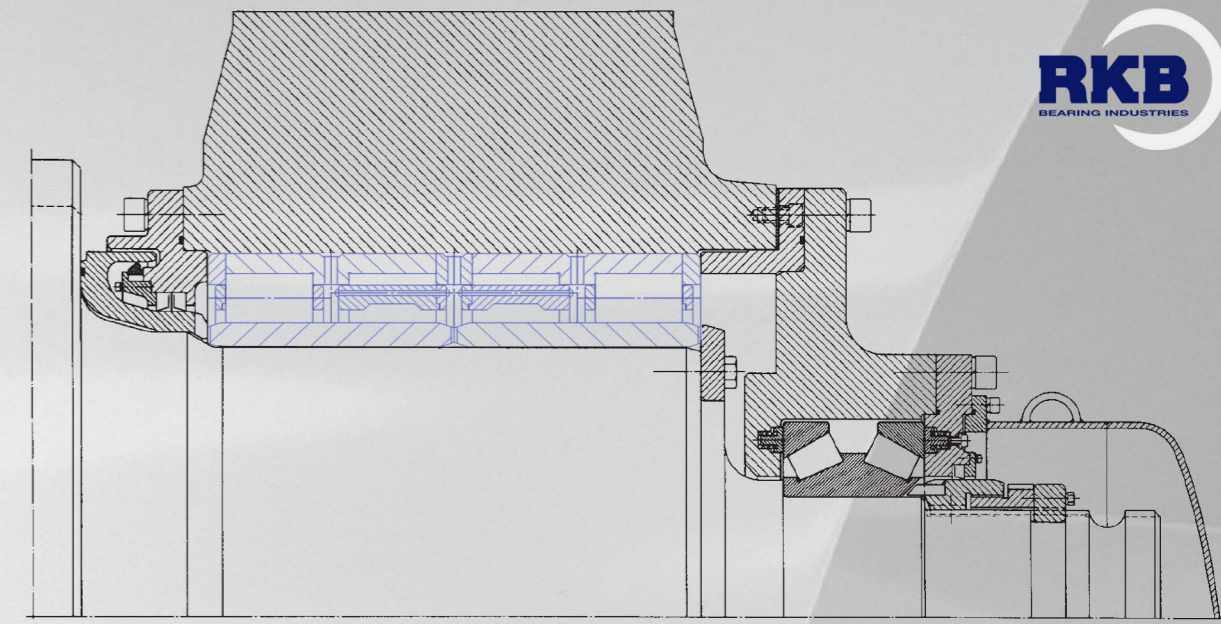
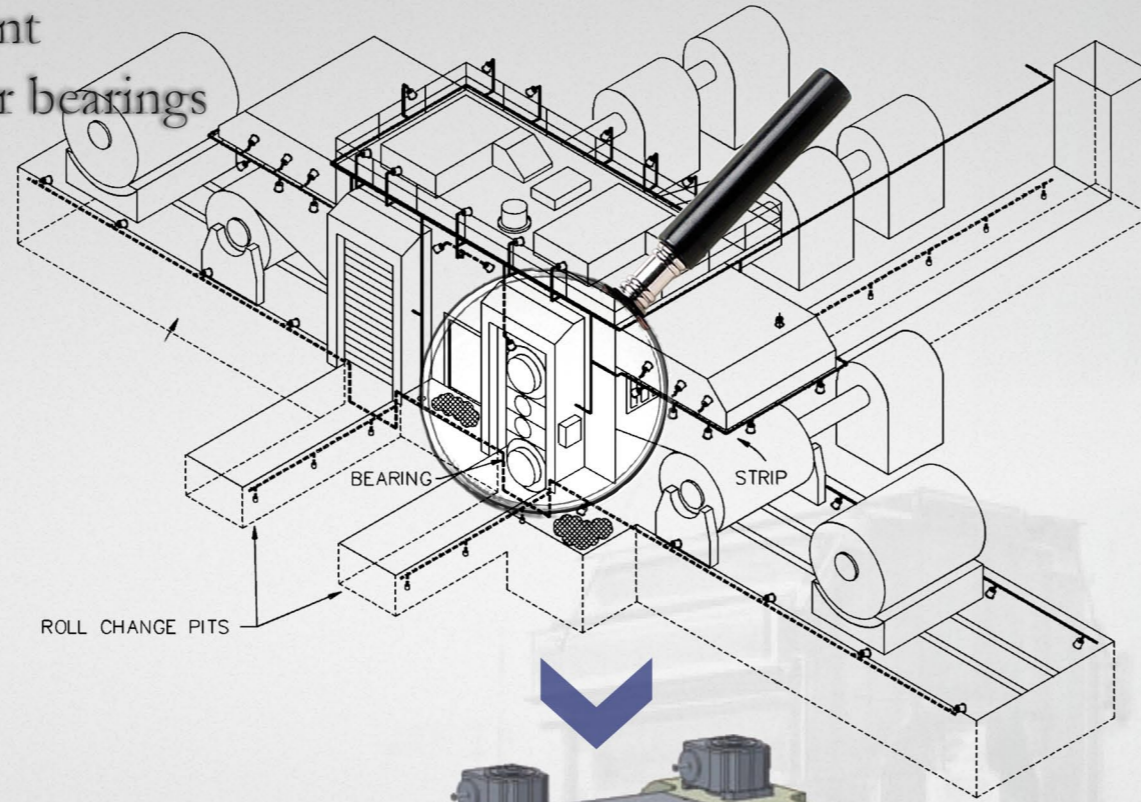
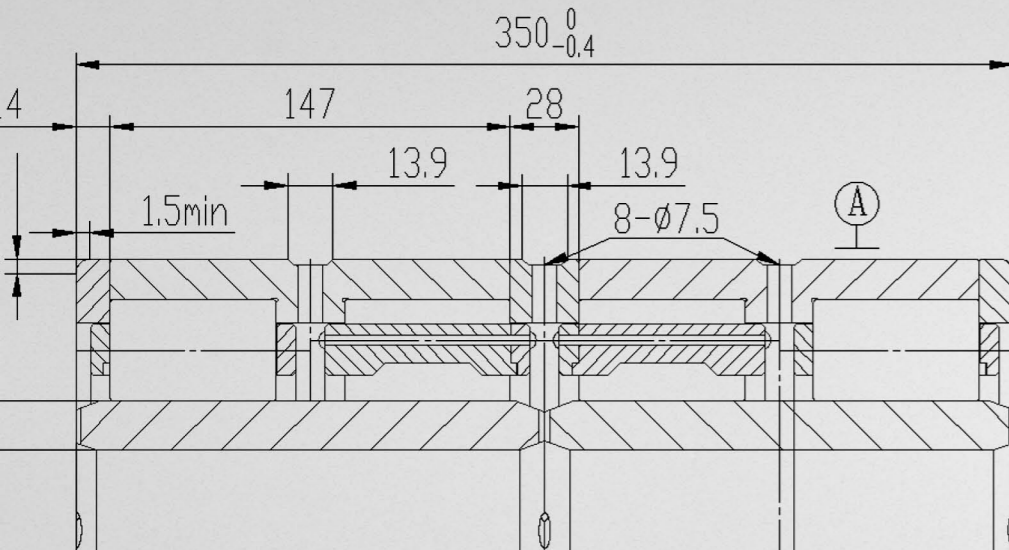




Main bearings: T3 Segment  
Four-row cylindrical roller bearings



**Project 'Multiroll EVO'**  
New generation four-row cylindrical roller bearings

