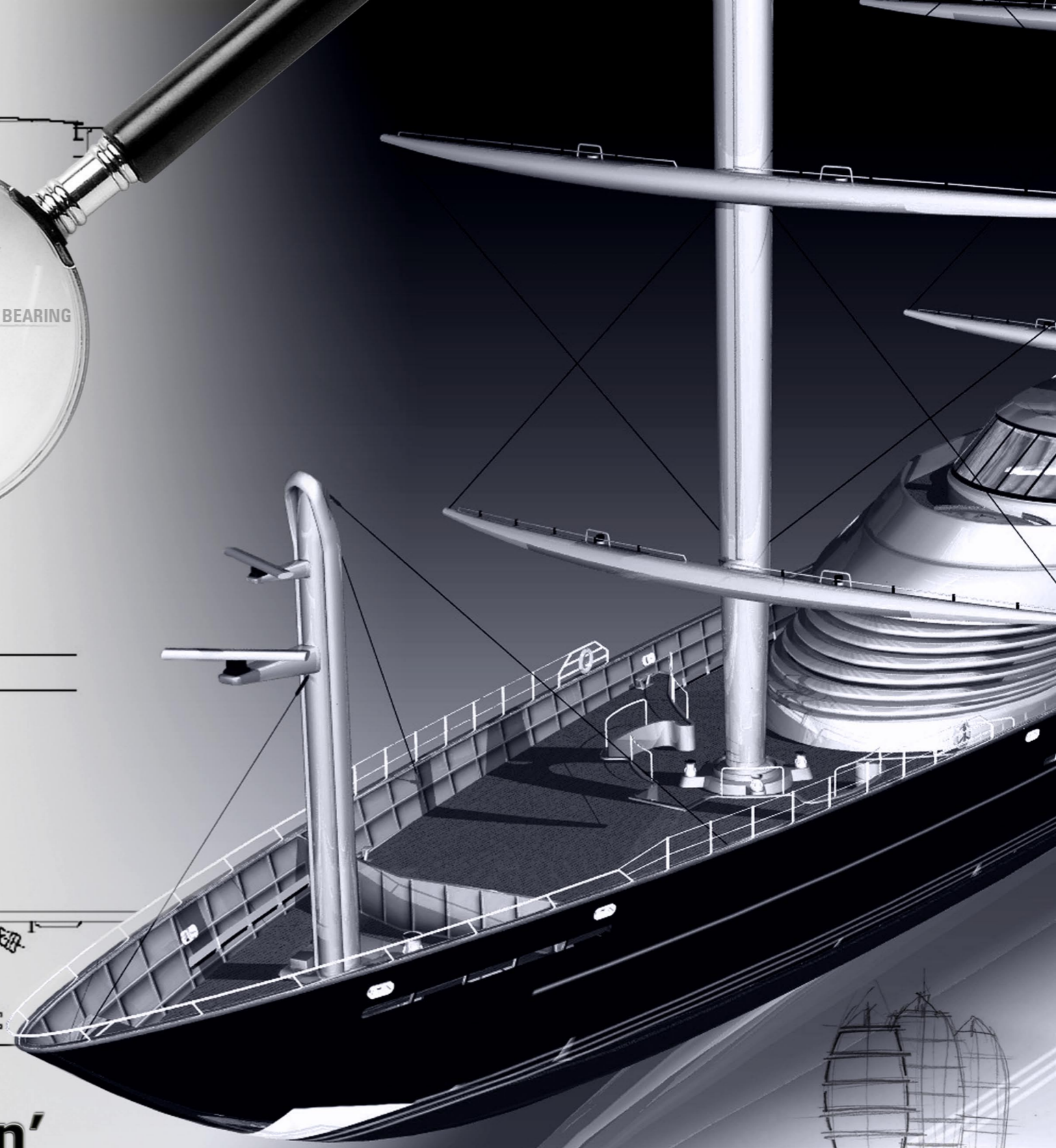
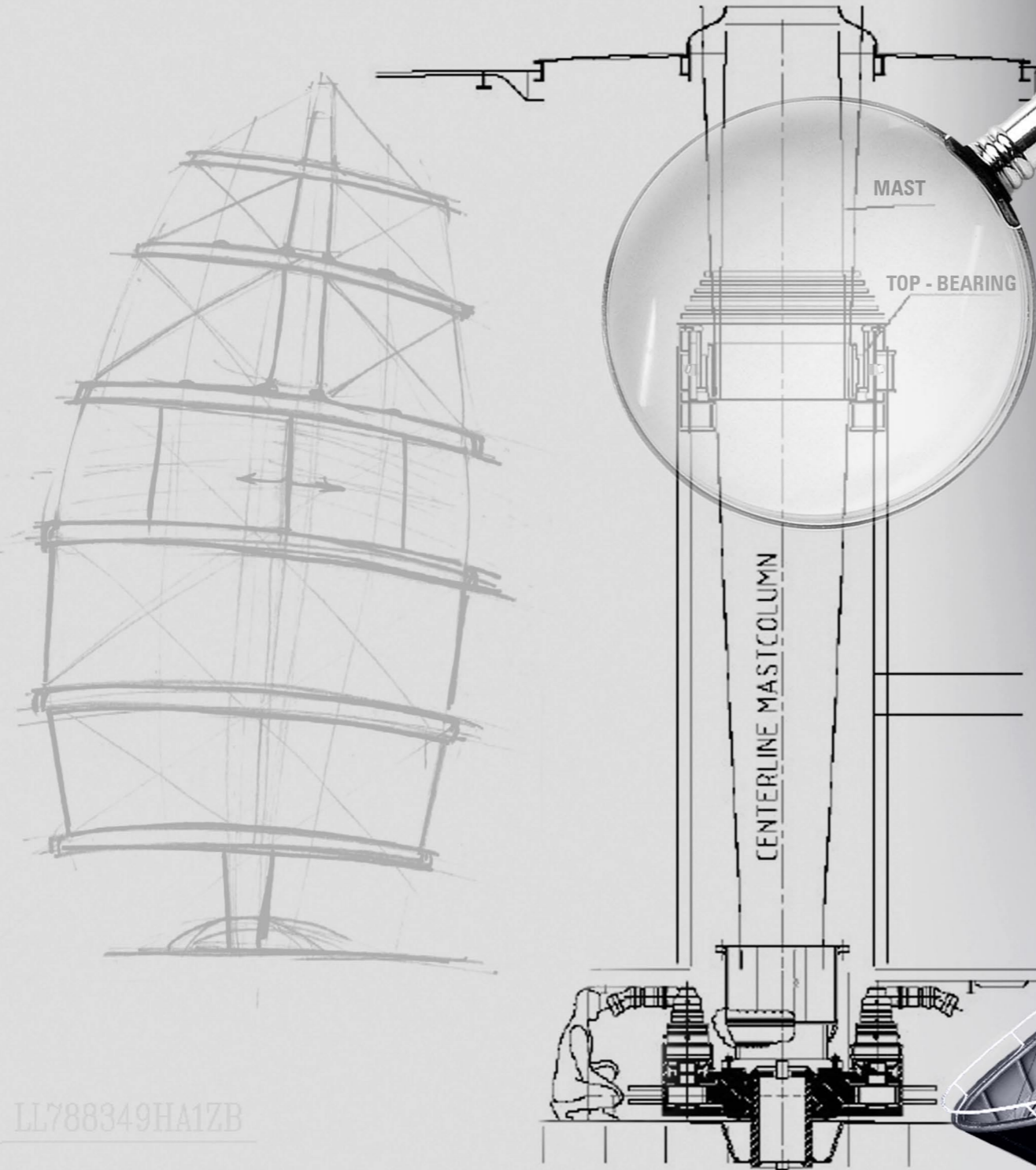
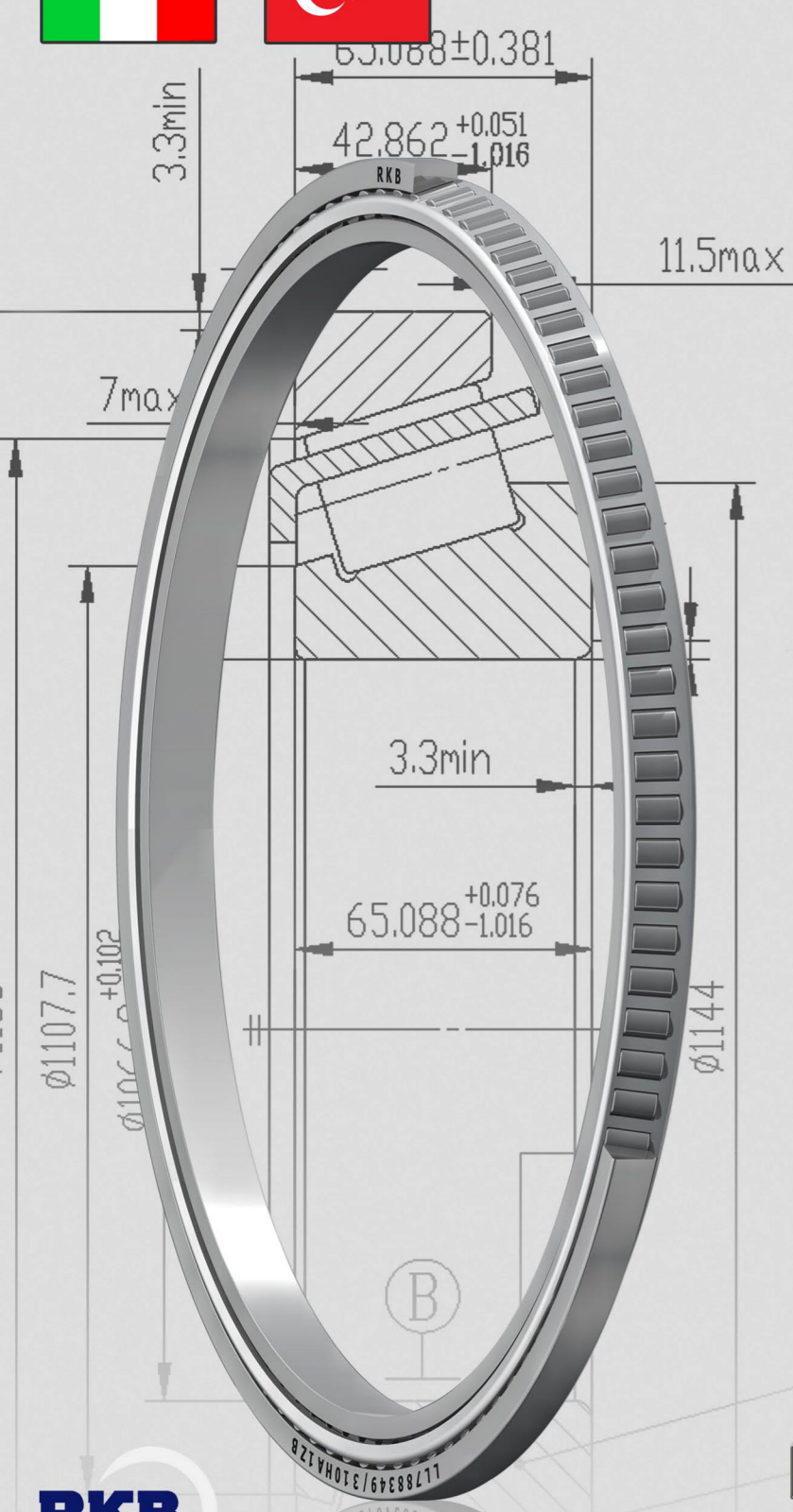




Main bearings: T3 Segment - Single row taper roller bearings



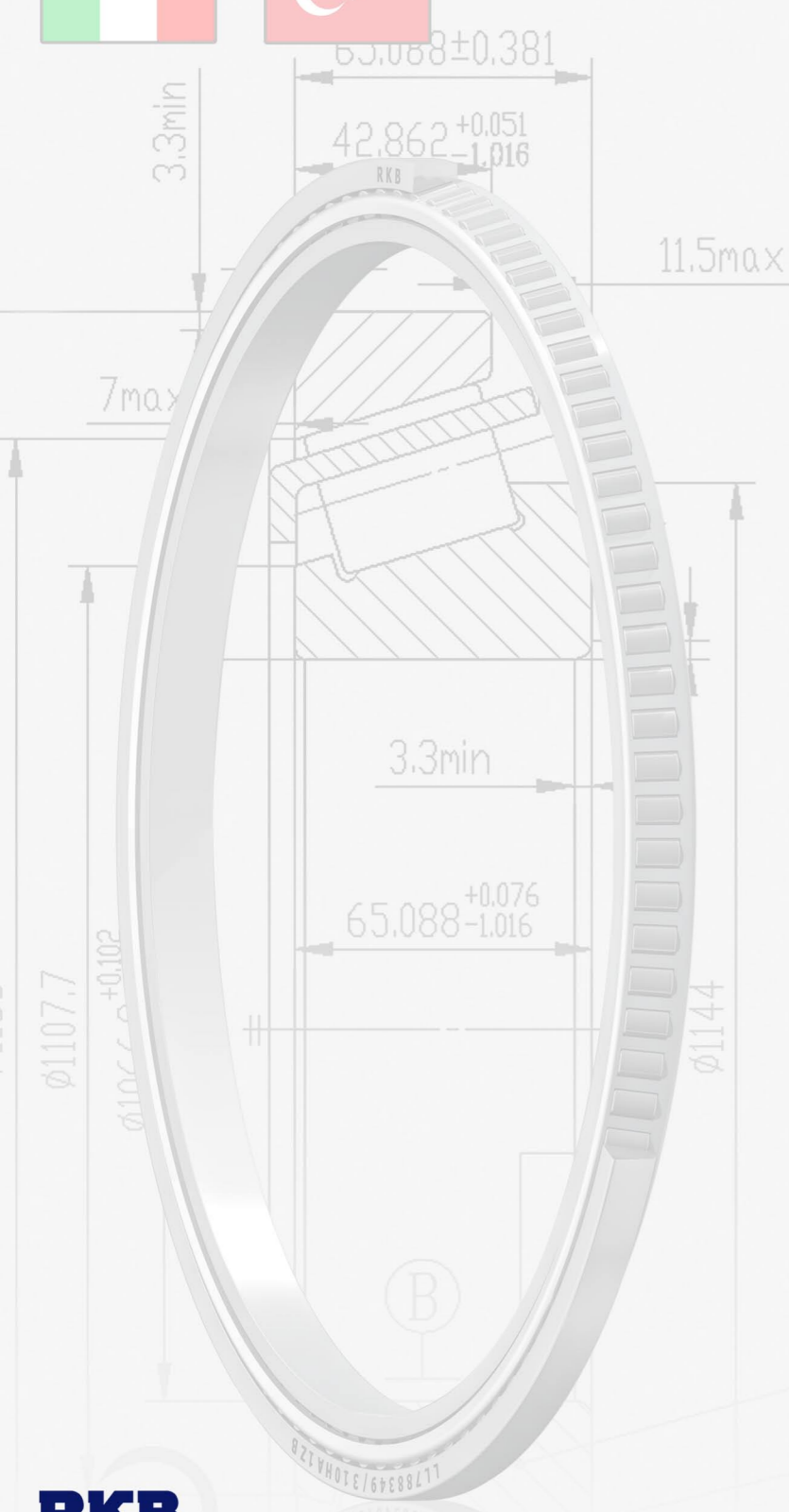
LL788349HA1ZB  
RL7880007B

**Project 'Clipper Maltese Falcon'**  
The state of the art in the sailing yachts





Main bearings: T3 Segment - Single row taper roller bearings



Thin section big size single row taper roller bearings (design and execution for heavy load applications)

Up to 1067 mm inner diameter

High rigidity of masts and spars with smooth rotation

**Project 'Clipper Maltese Falcon'**  
The state of the art in the sailing yachts

