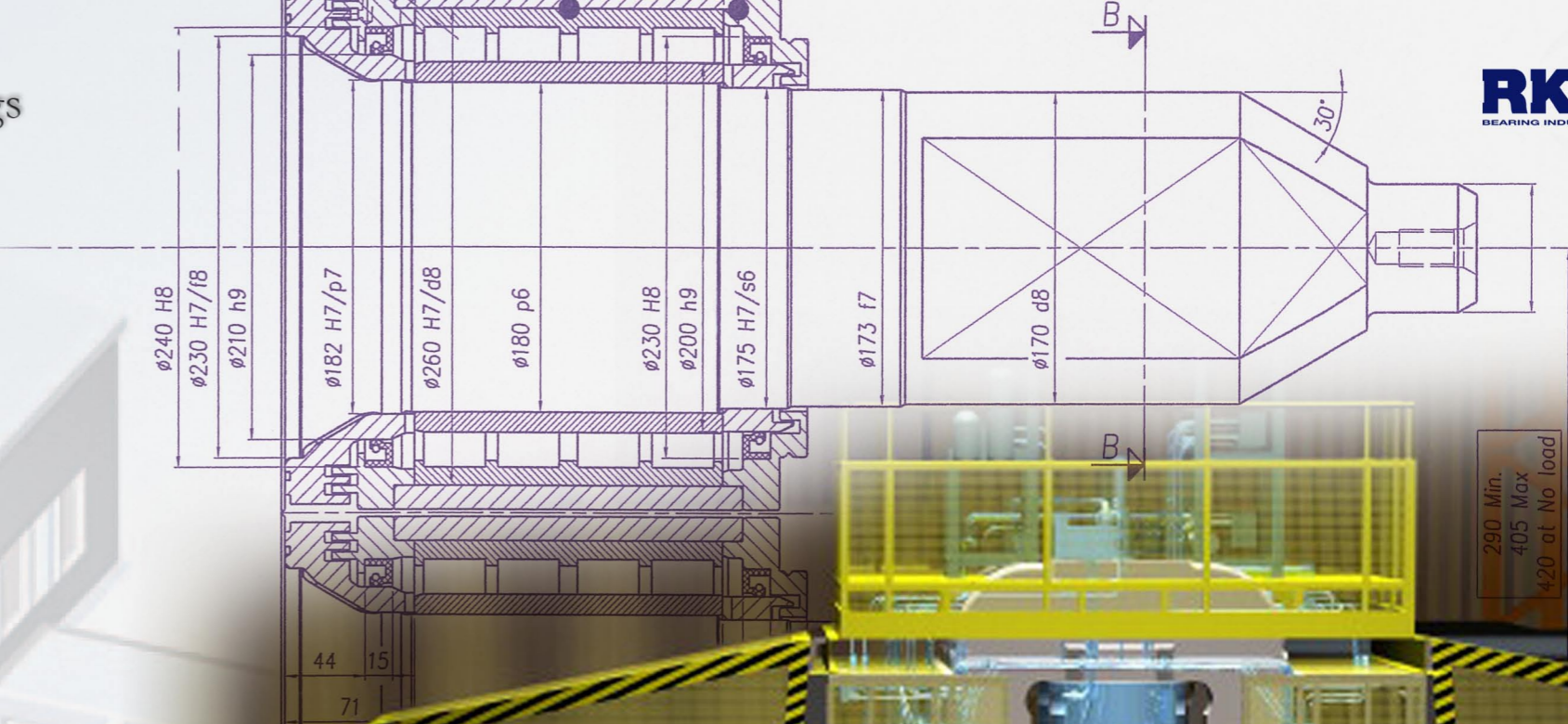
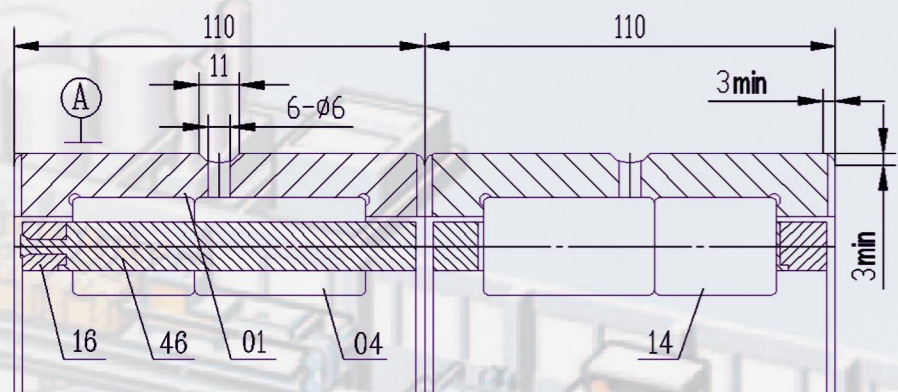
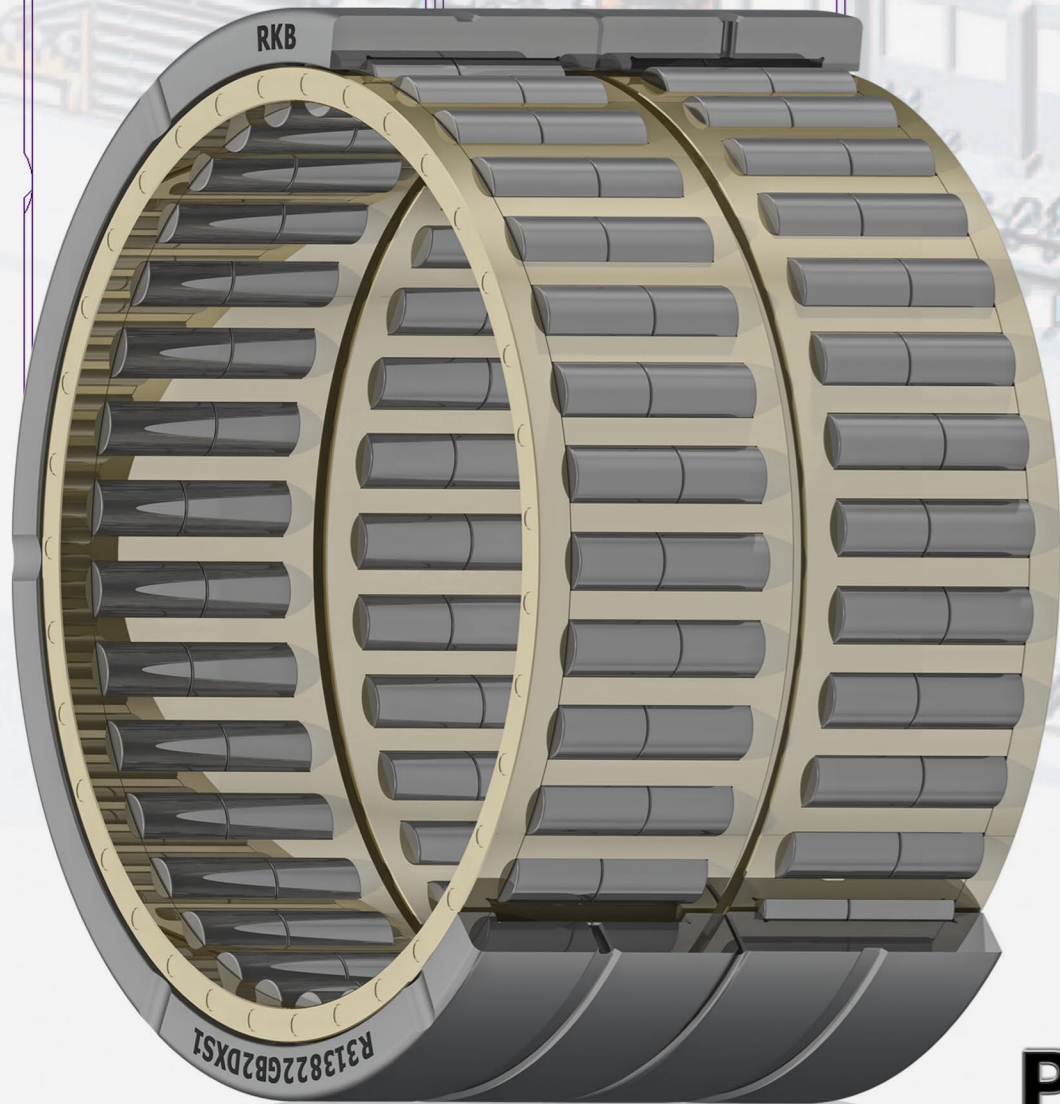




Main bearings:  
T3 Segment - New generation multi row cylindrical roller bearings

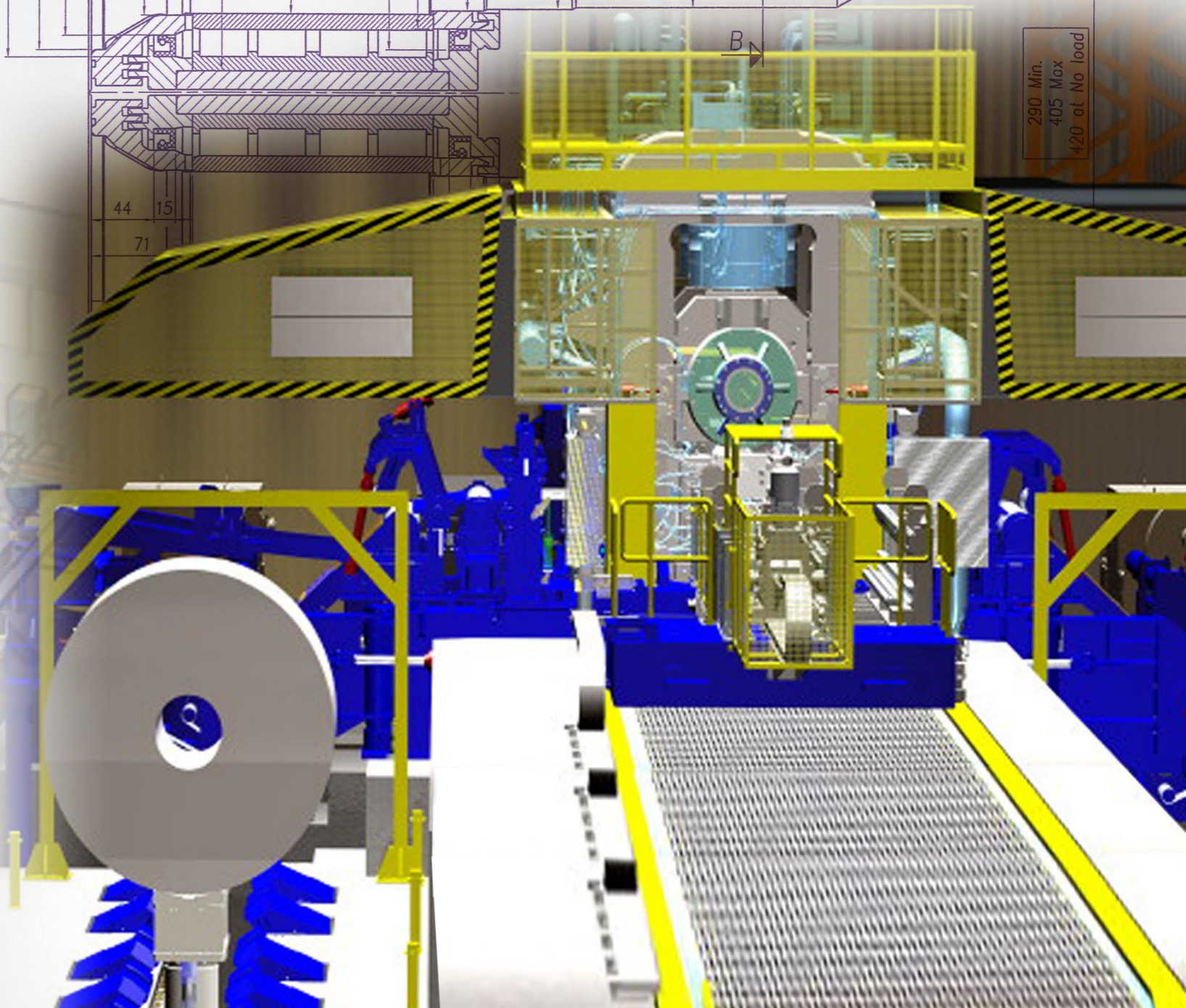


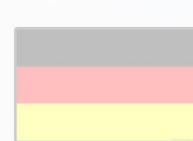
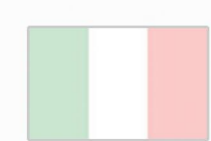
290 Min.  
405 Max  
420 at No load



# Project 'GB2DXS1'

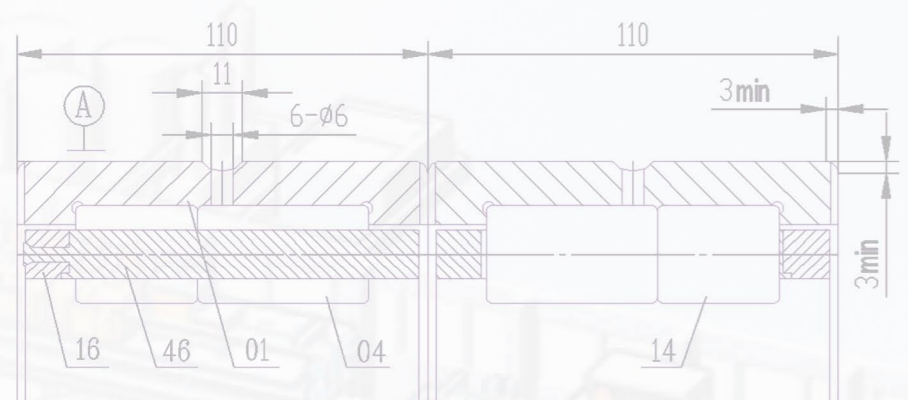
Rolling mill stand with rolls changing device robot





Main bearings:

T3 Segment - New generation multi row cylindrical roller bearings

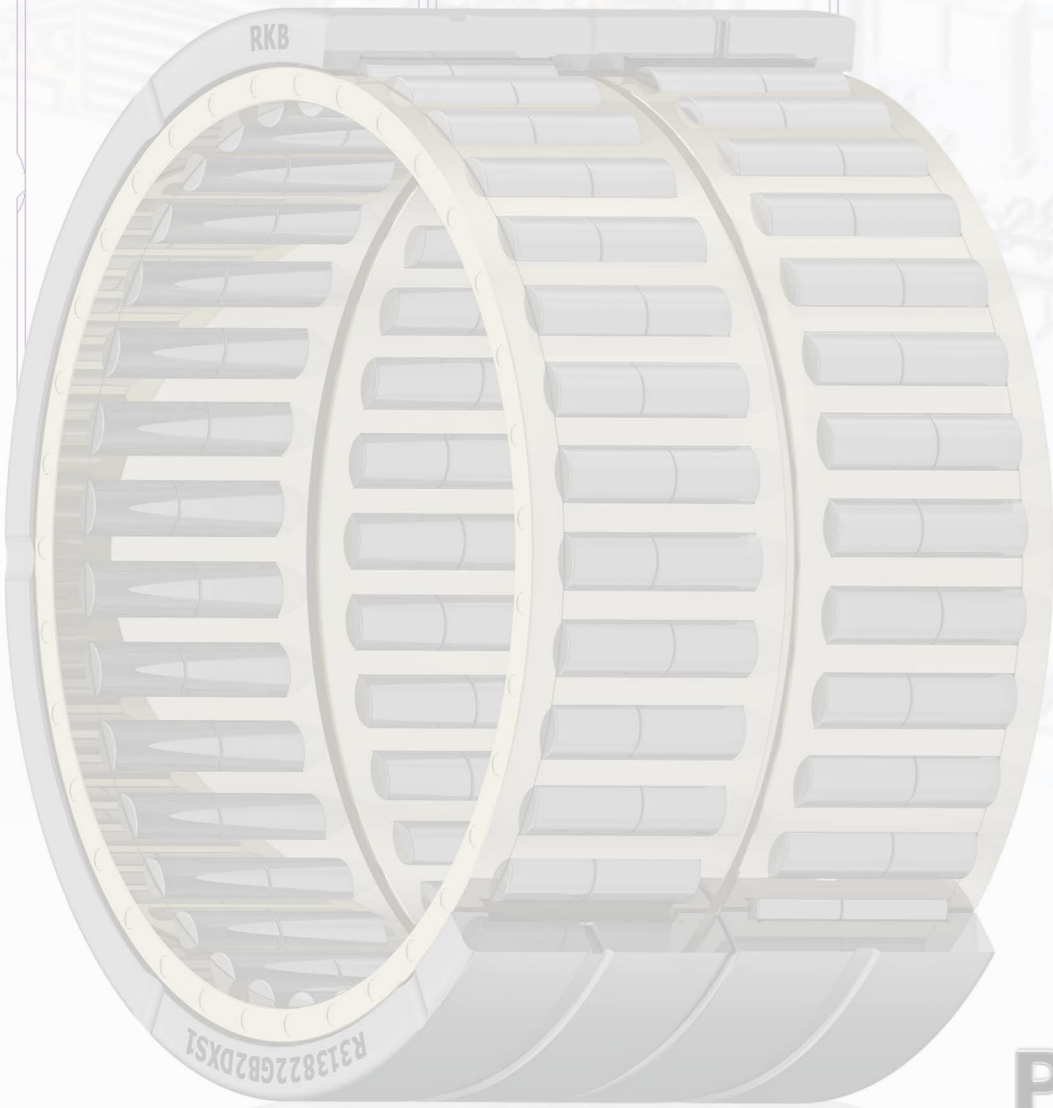


New generation for rolling mill stand with rolls changing device robot

Easy mounting/dismounting

Better load distribution result in reduced edge contact pressure and stress concentration

Longer service life and reliability



**Project 'GB2DXS1'**

Rolling mill stand with rolls changing device robot

