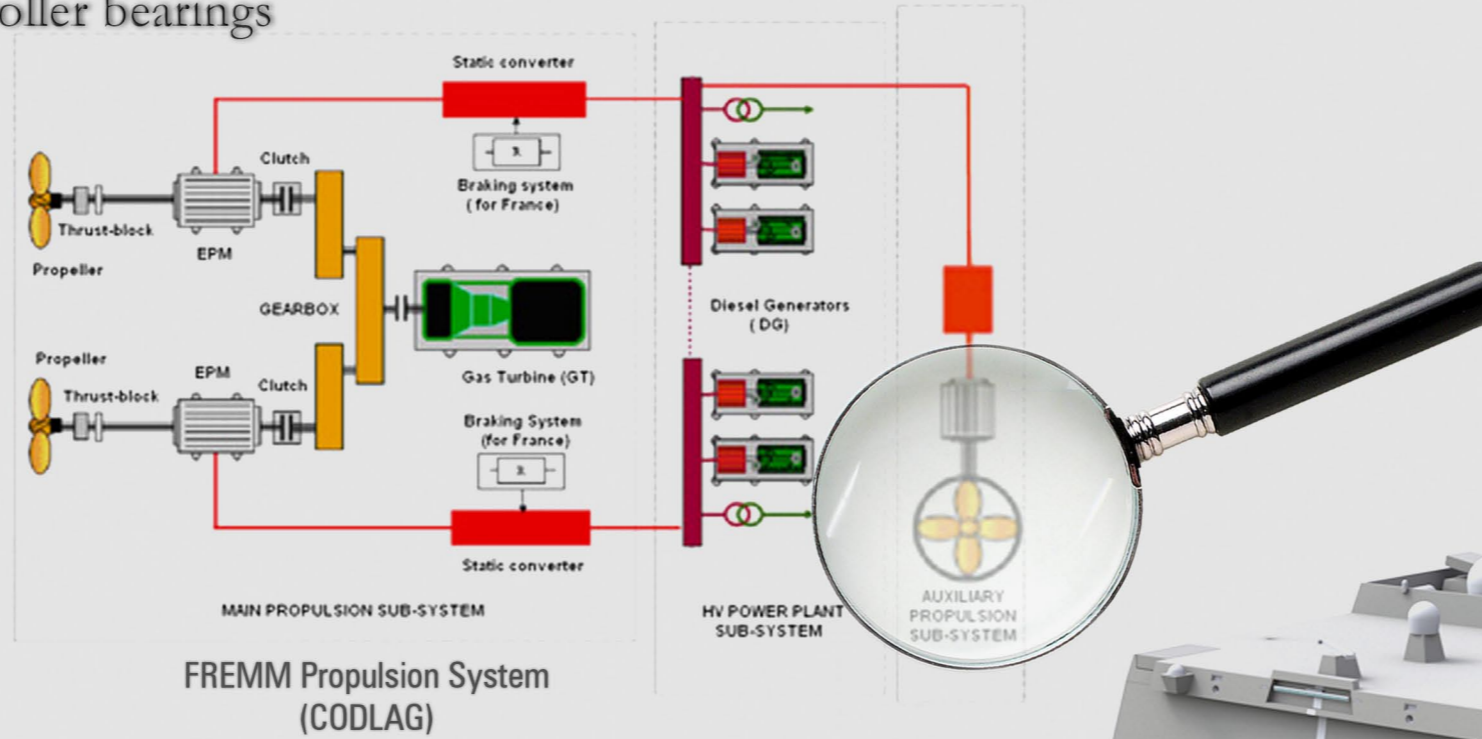
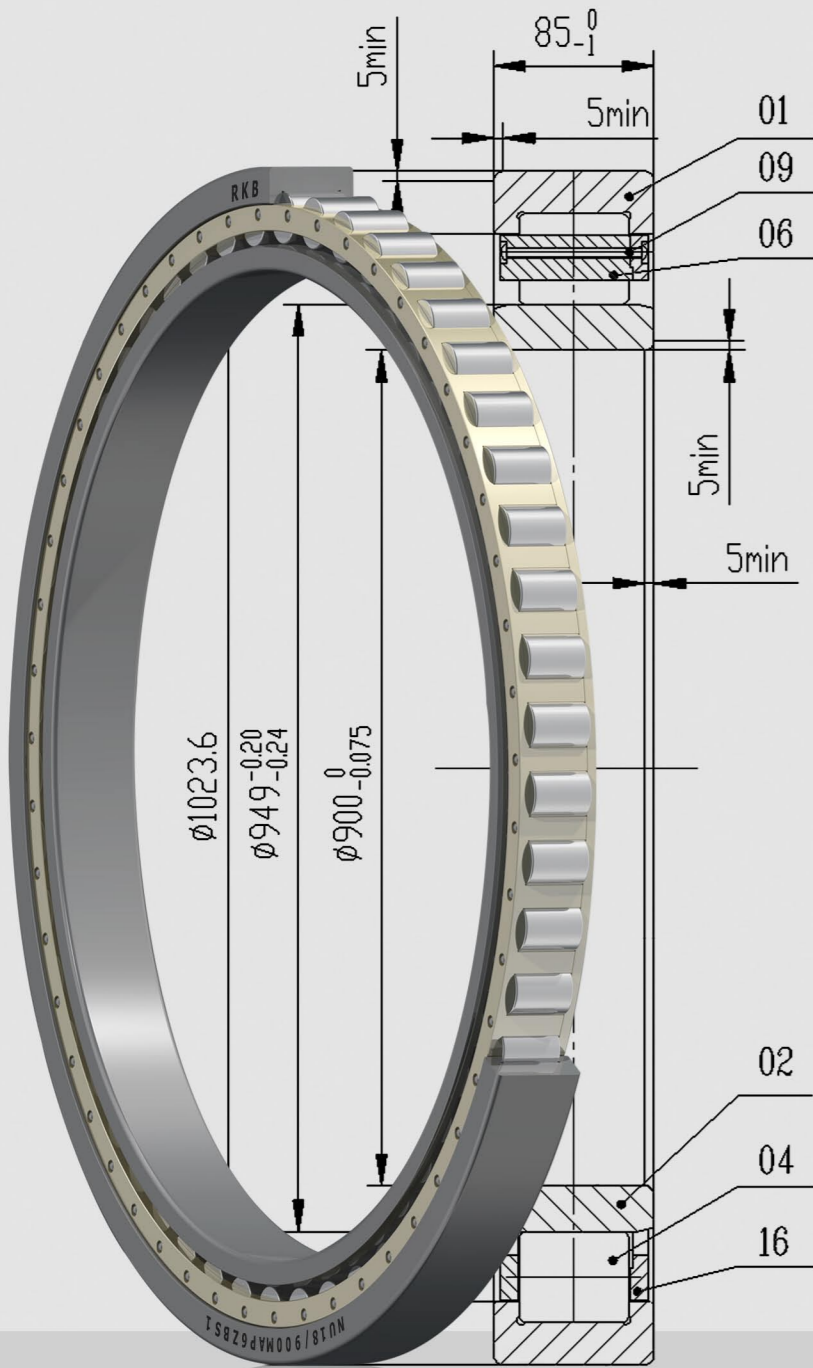


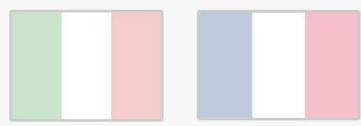


Main bearings: T3 Segment
 AOB/Tailored - Cylindrical roller bearings

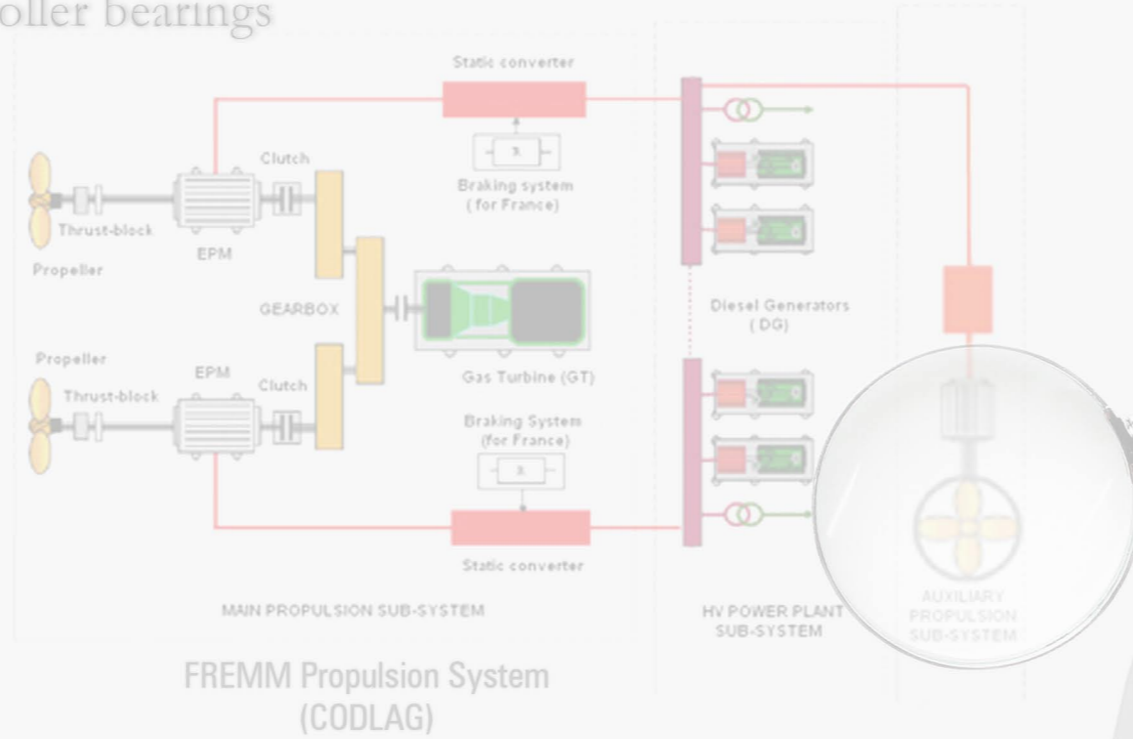
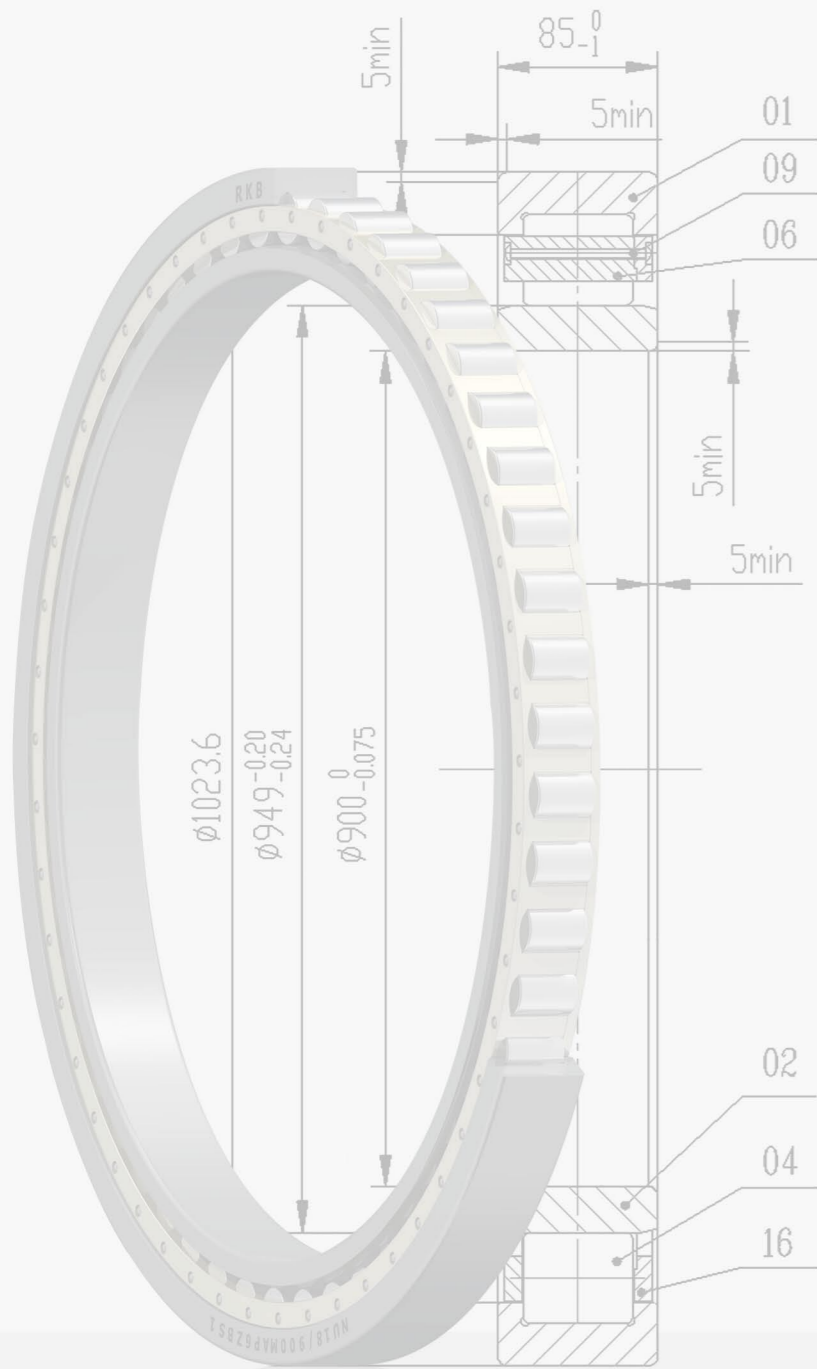


Project 'Fremm Program II'

Azimuthal retractable thruster



Main bearings: T3 Segment
AOB/Tailored - Cylindrical roller bearings



Big size cylindrical roller bearings (AOB)

Outer diameter 1090 mm



Project 'Fremm Program II'
Azimuthal retractable thruster