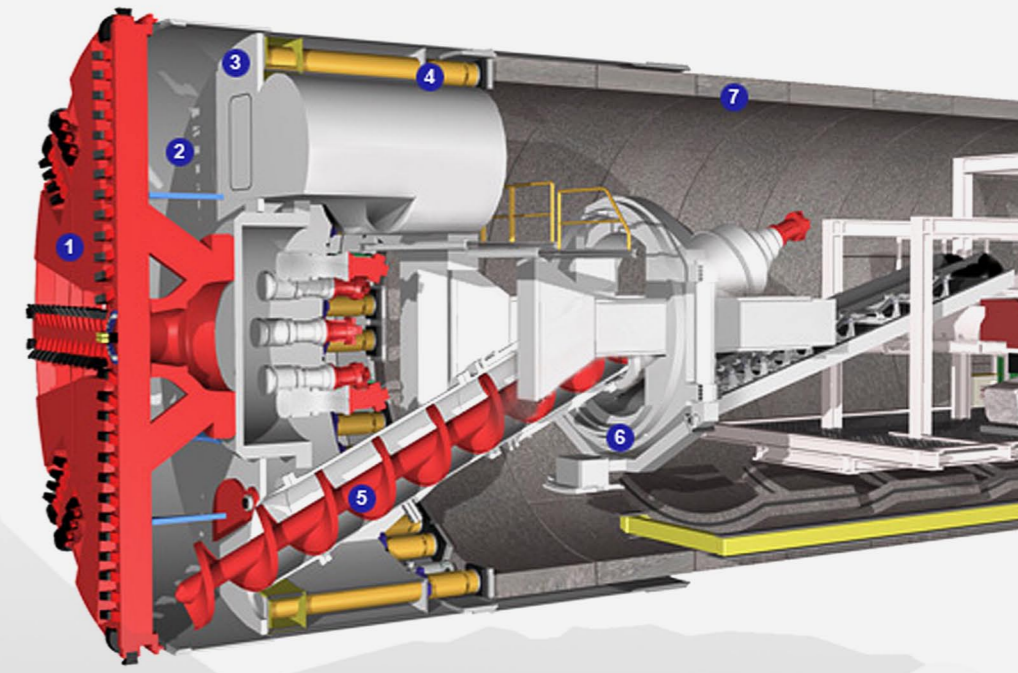
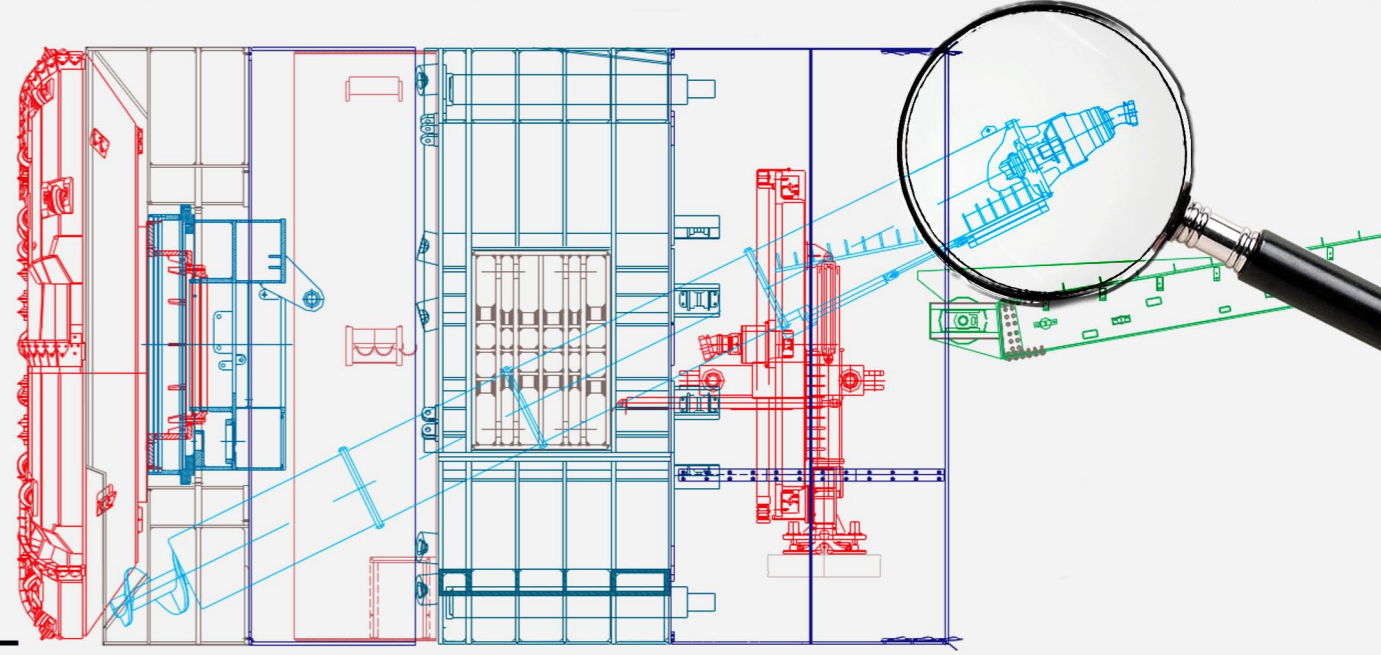
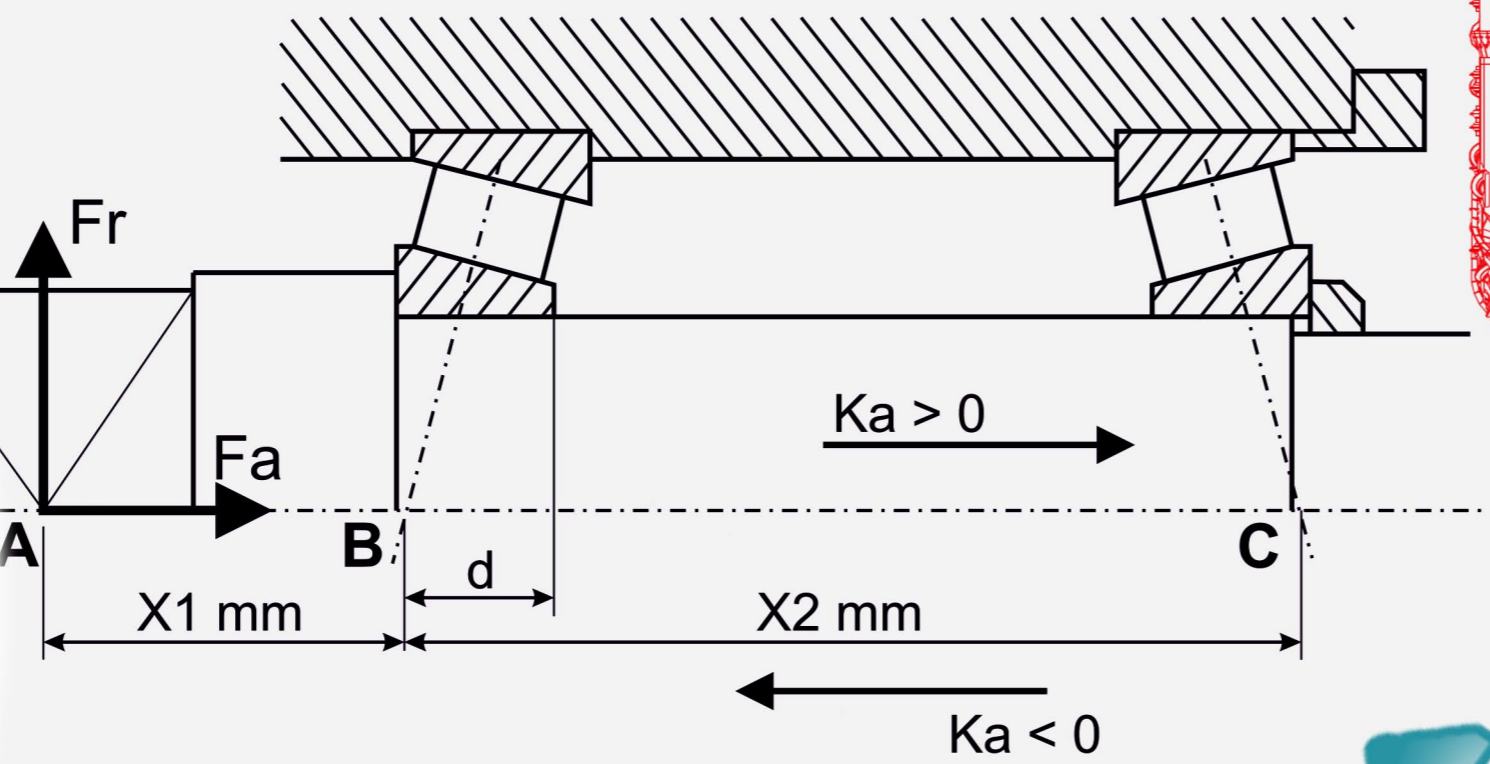
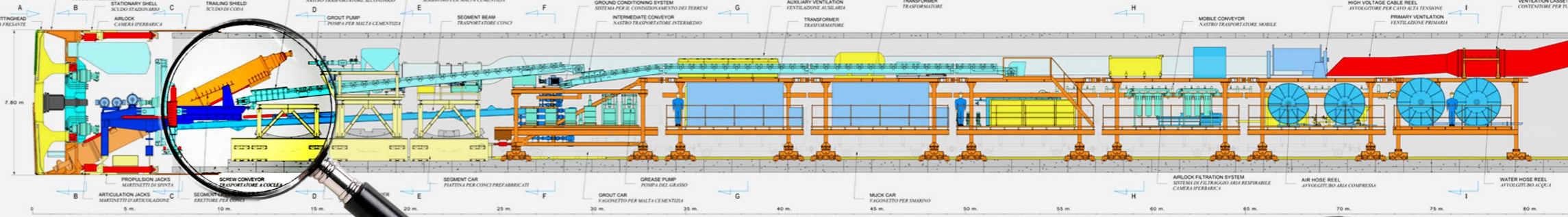




Main bearings:
T3 Segment - AOB/Tailored - Taper roller bearings

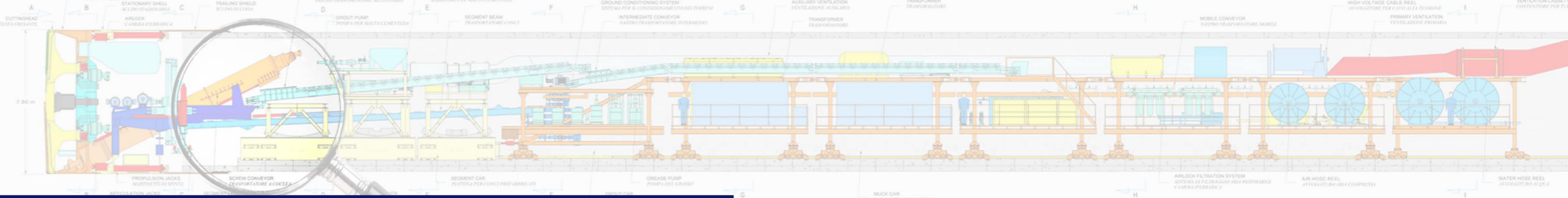


Project 'EPB'
Conveyor systems for tunnel boring machines





Main bearings:
T3 Segment - AOB/Tailored - Taper roller bearings

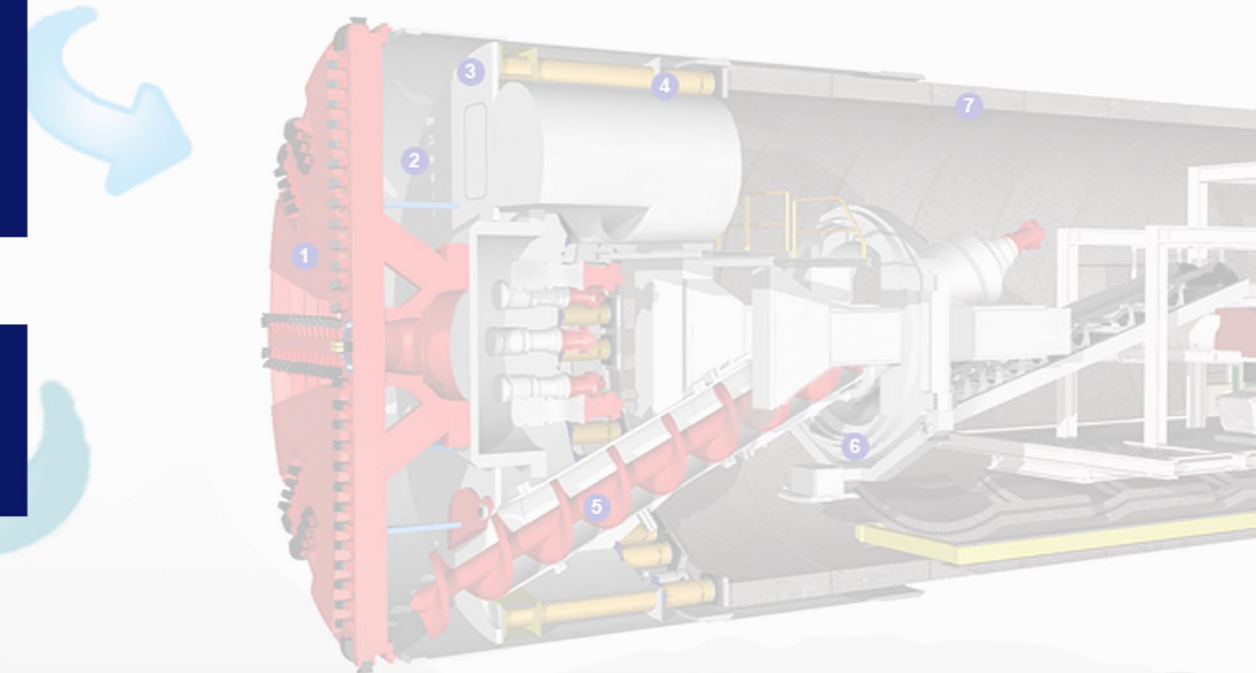
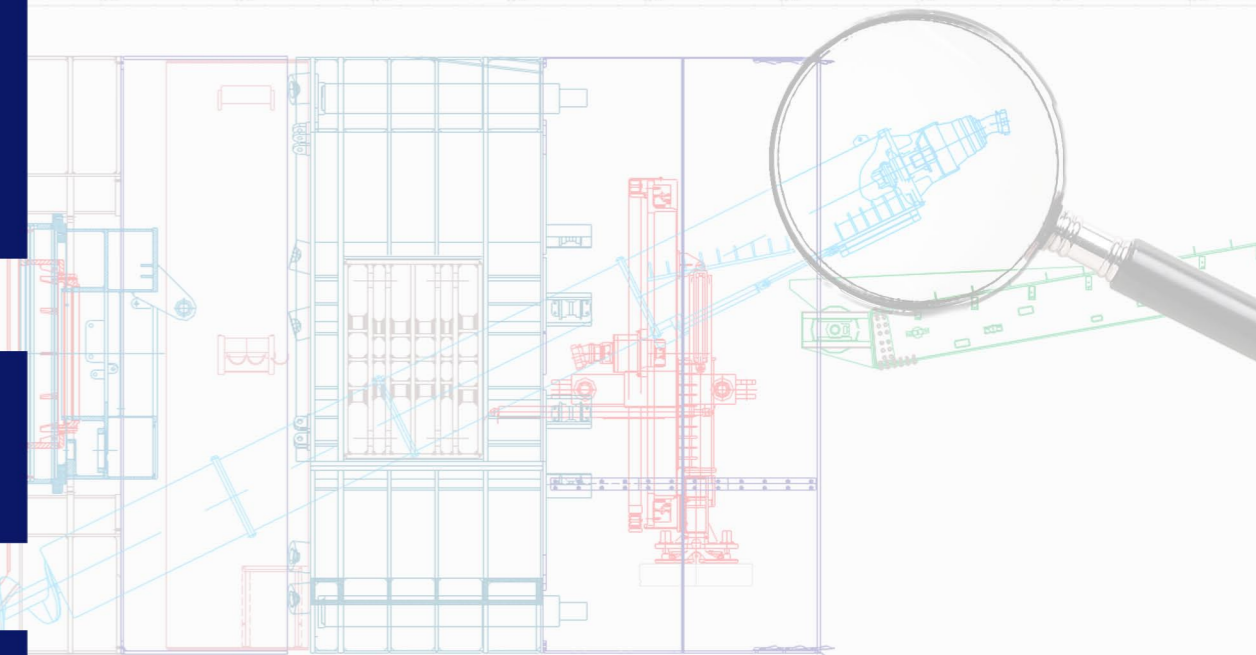
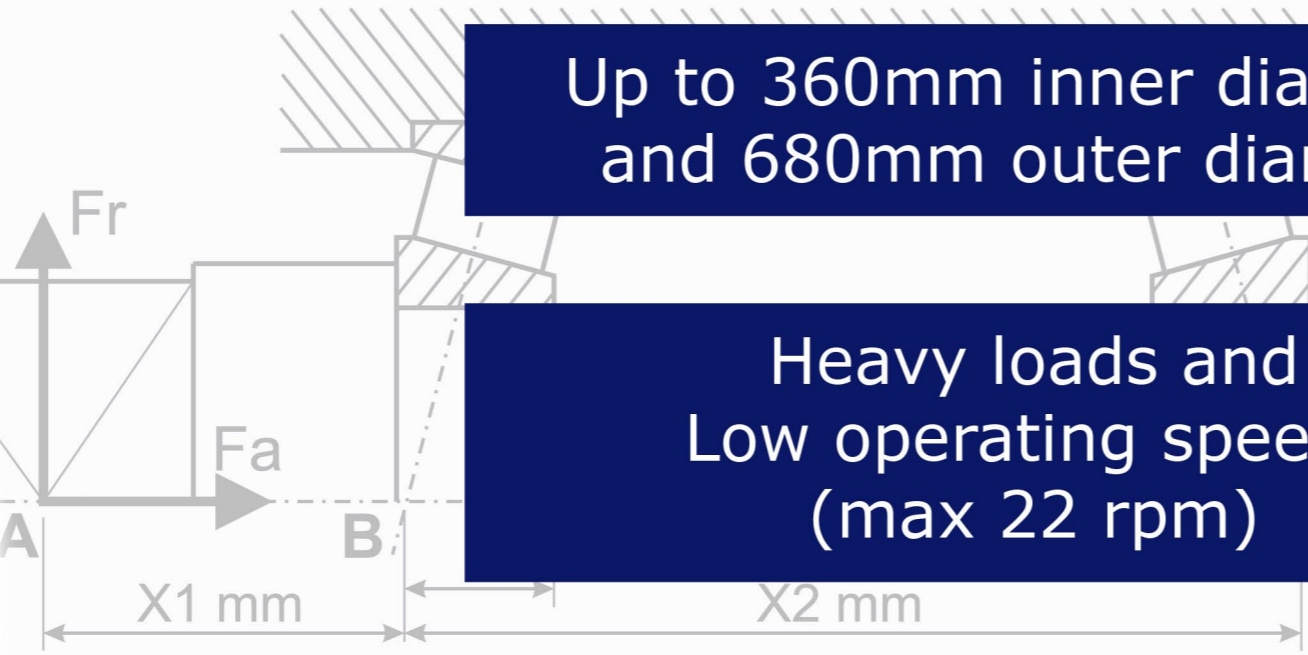
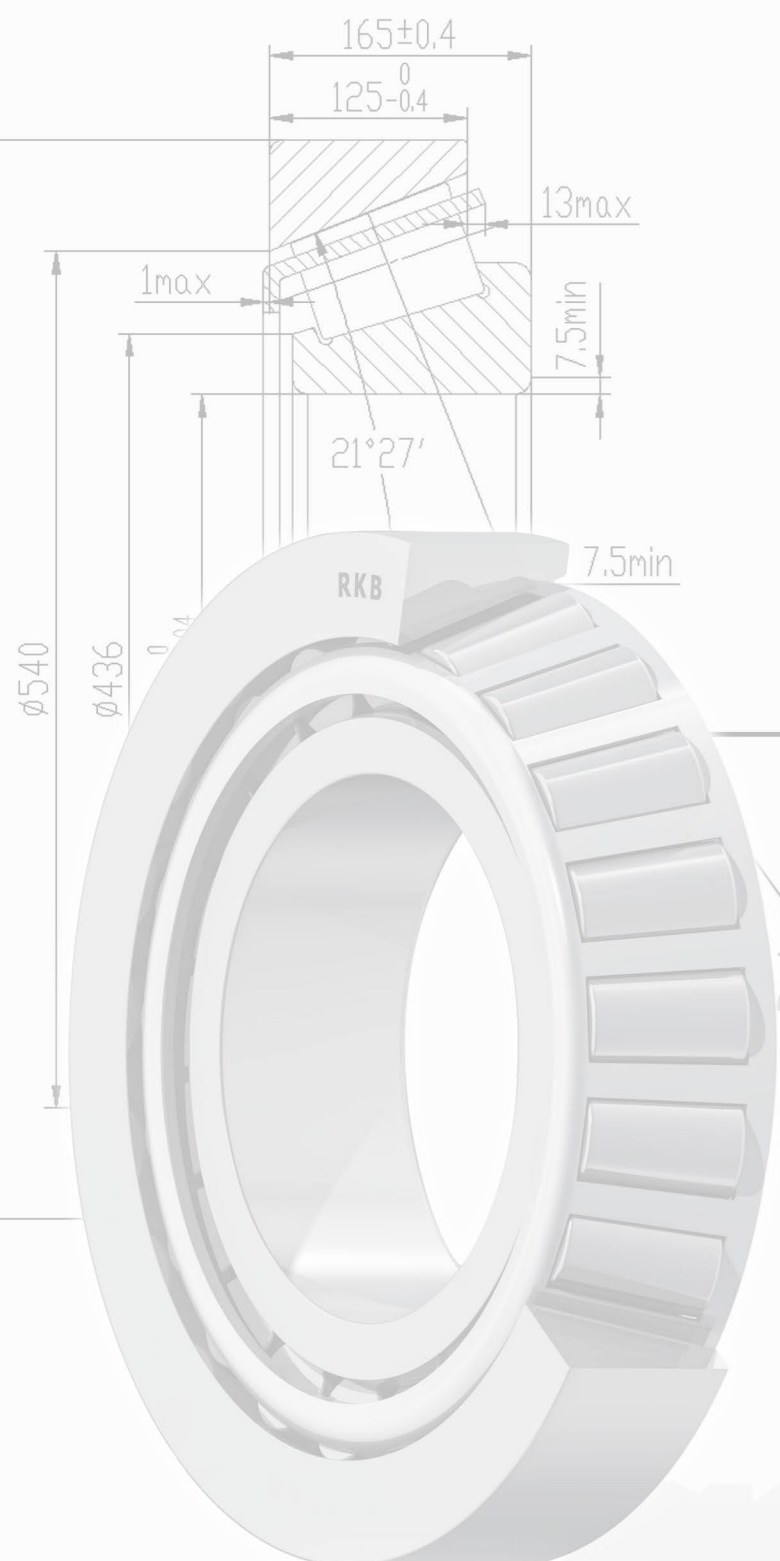


Taper roller bearings (AOB) for the screw conveyor hydraulic drive

Up to 360mm inner diameter and 680mm outer diameter

Heavy loads and Low operating speeds (max 22 rpm)

Tough roller technology for higher safety factor >4,0



Project 'EPB'
Conveyor systems for tunnel boring machines