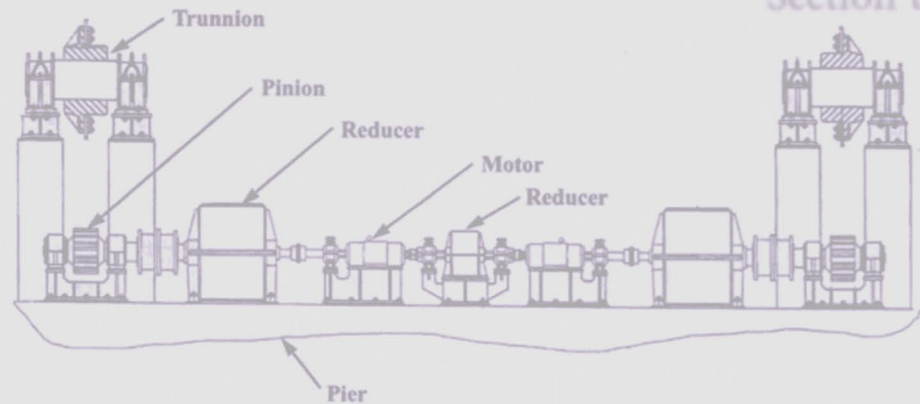




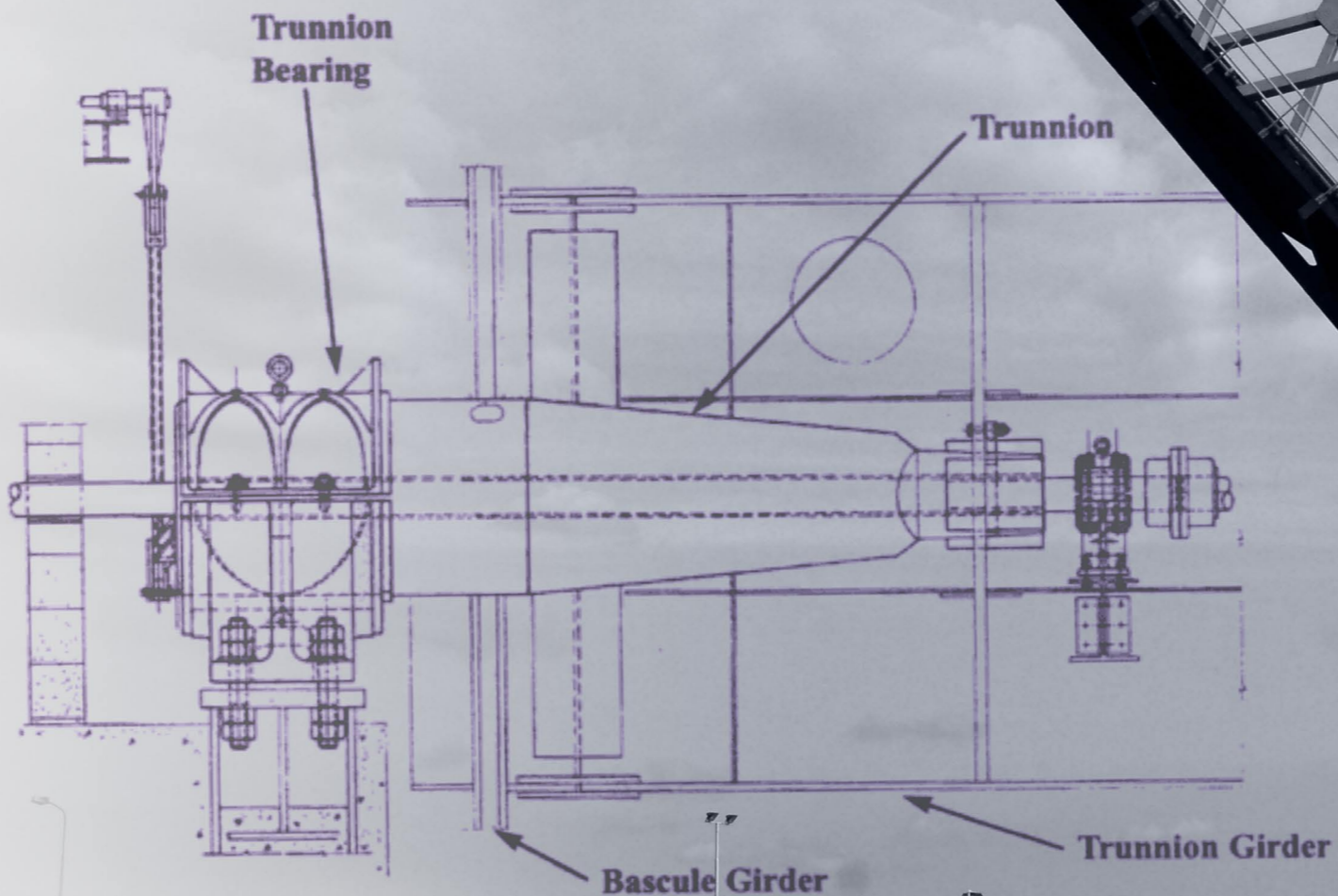
Main bearings: T3 Segment - AOB/Tailored - Spherical roller bearings



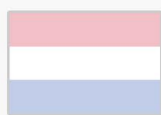
Section through a bascule pier that utilizes a mechanical drive.



Trunnion and trunnion bearing.



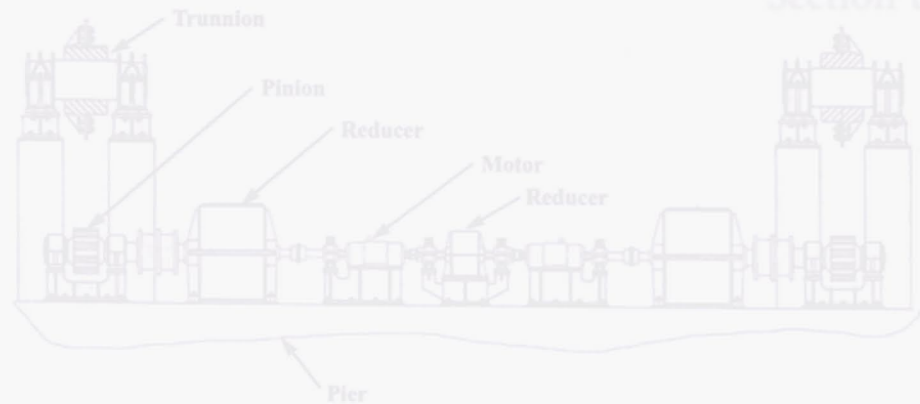
Project 'Dutch Zeeland' Bridge and dam mechanical systems



Main bearings: T3 Segment - AOB/Tailored - Spherical roller bearings



Section through a bascule pier that utilizes a mechanical drive.



Trunnion and trunnion bearing.

Big size spherical and cylindrical roller bearings

Up to 560 mm inner diameter

$S_0 > 7$ considering material stress in long-term



Project 'Dutch Zeeland'
Bridge and dam mechanical systems