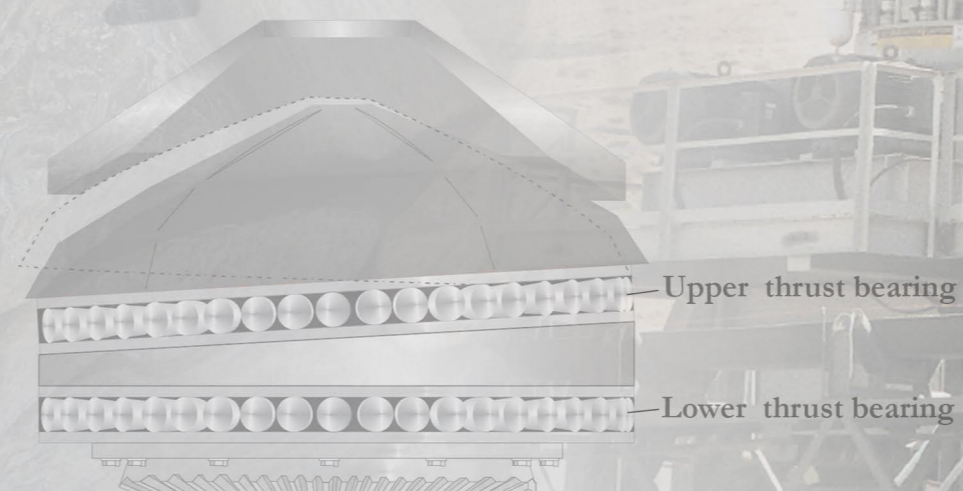
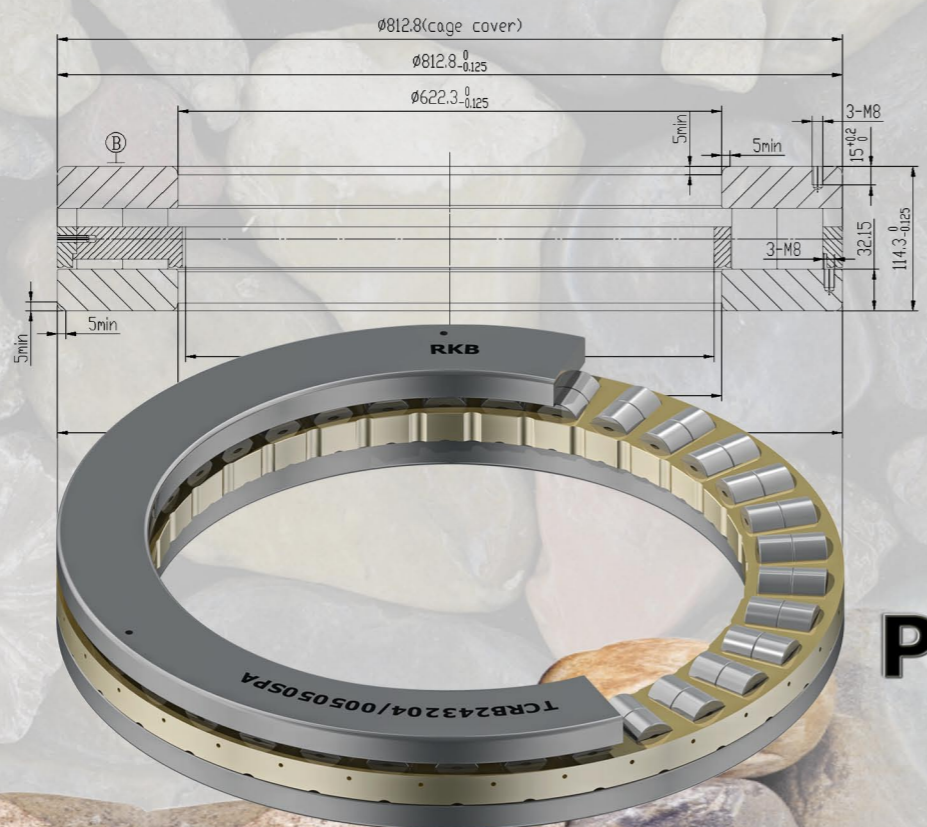
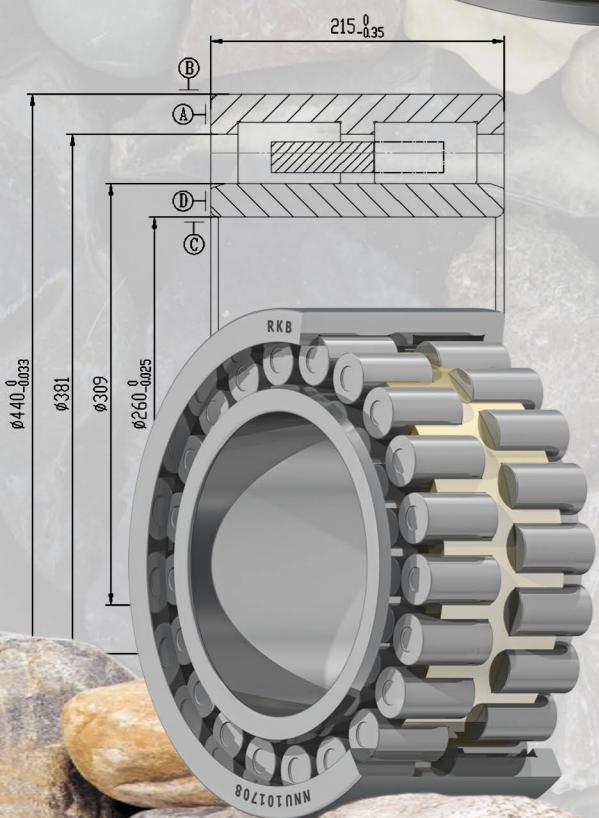
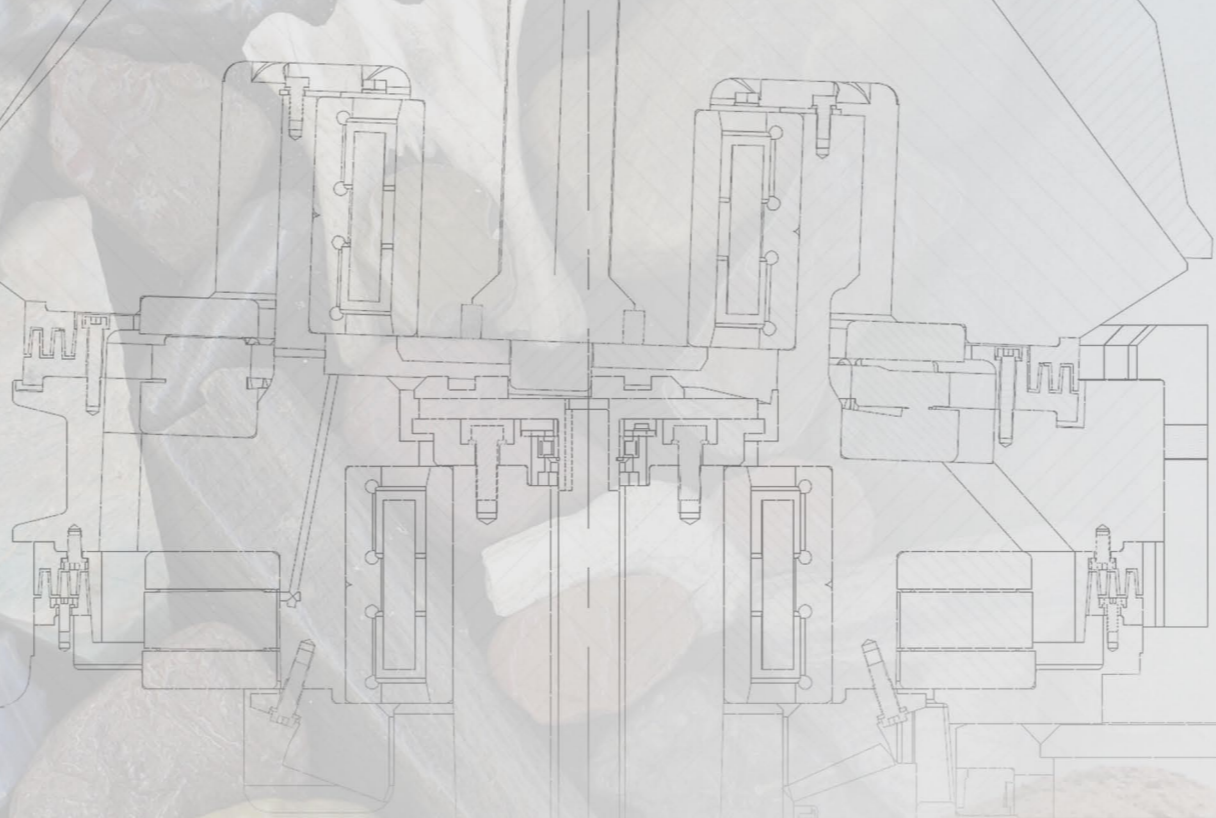
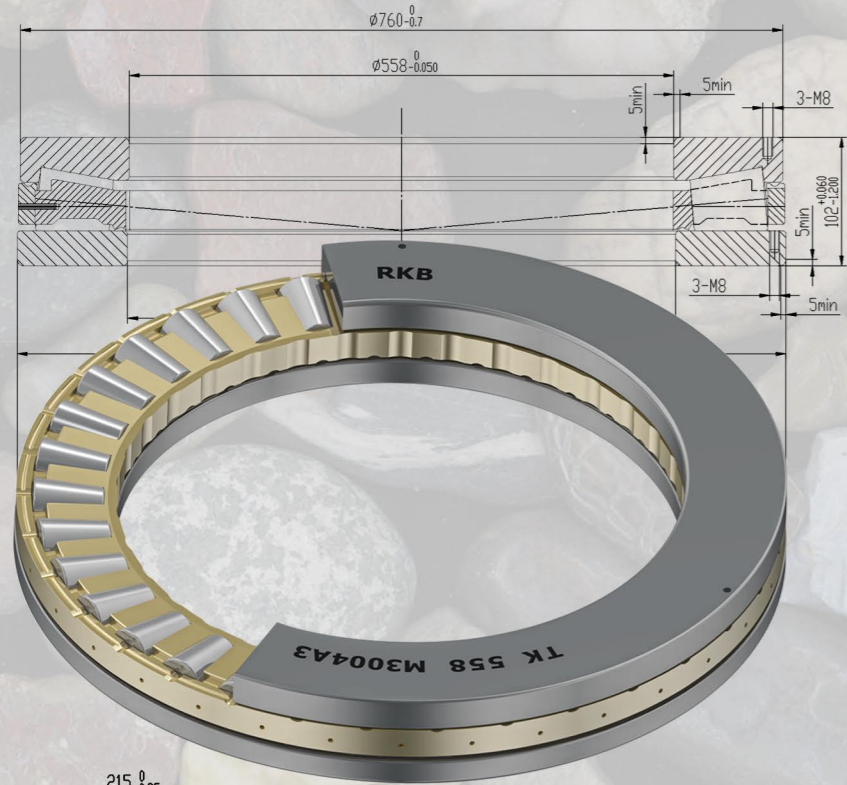




Main bearings: T3 Segment - Technological bearings

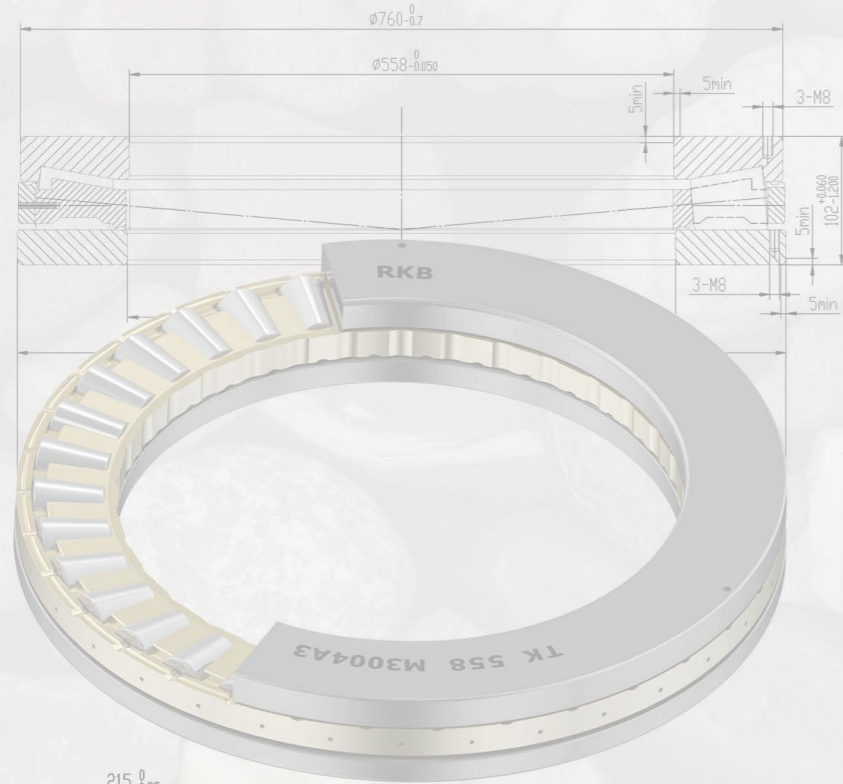


Project 'CRUSHER C.C.'

Cone type crusher
for mines and mineral industry



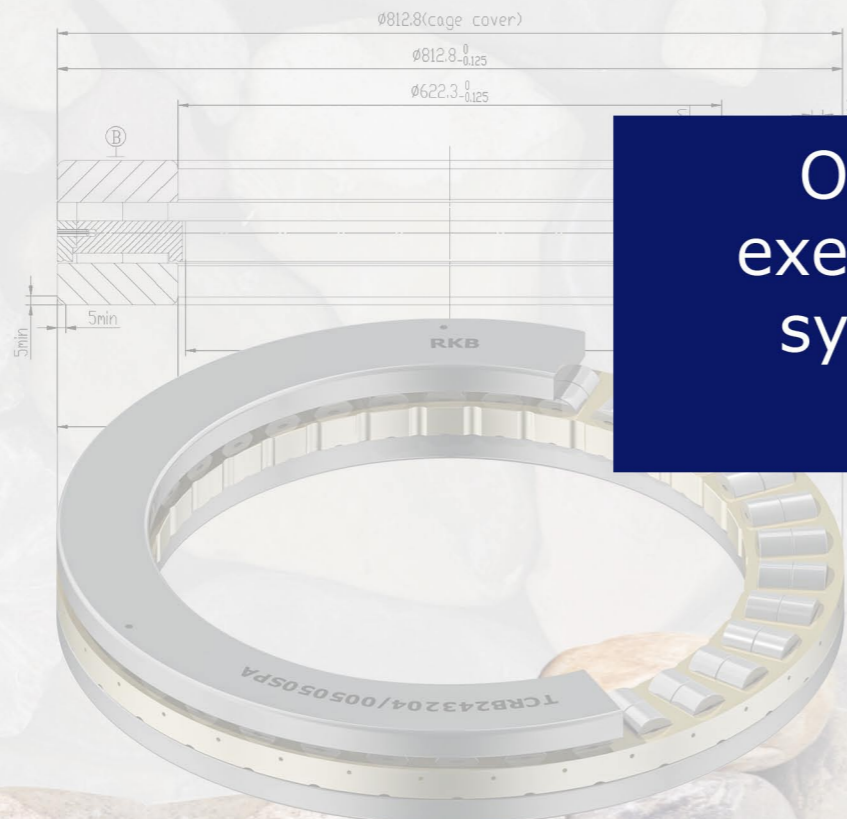
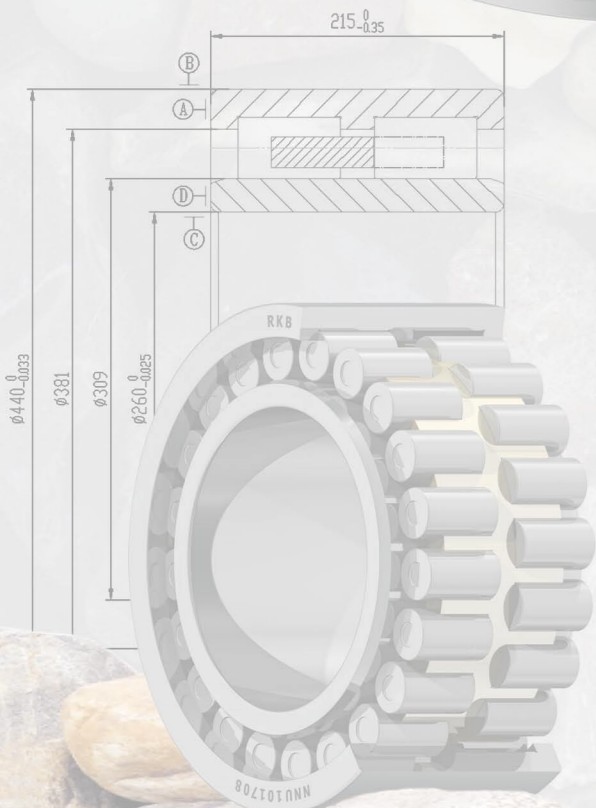
Main bearings:
T3 Segment - Technological bearings



Technological double row cylindrical roller and thrust roller bearings

Superior load capacities

Optimized design of inner executions due to lubrication system and high presence of vibrations/shocks



Project 'CRUSHER C.C.'

Cone type crusher
for mines and mineral industry

