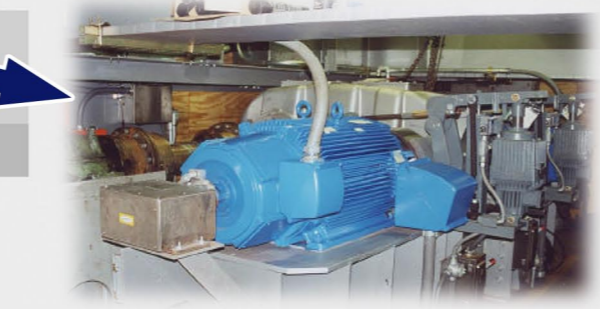
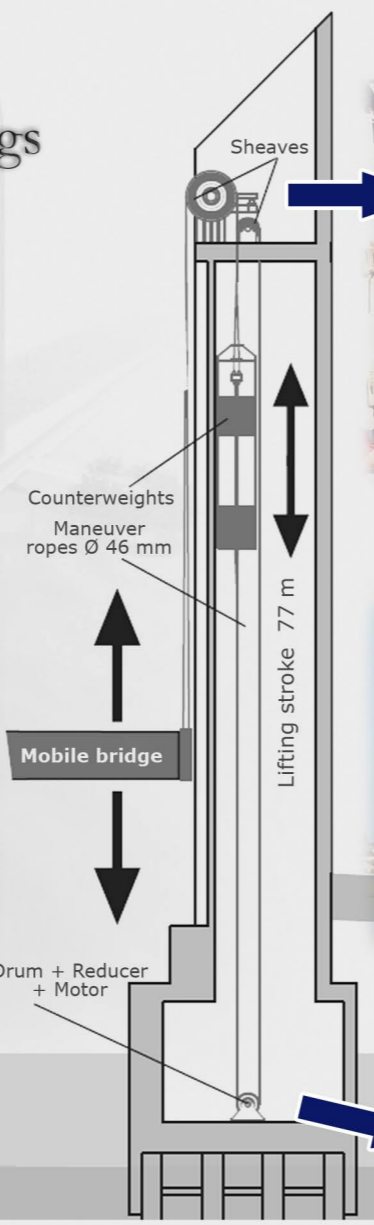
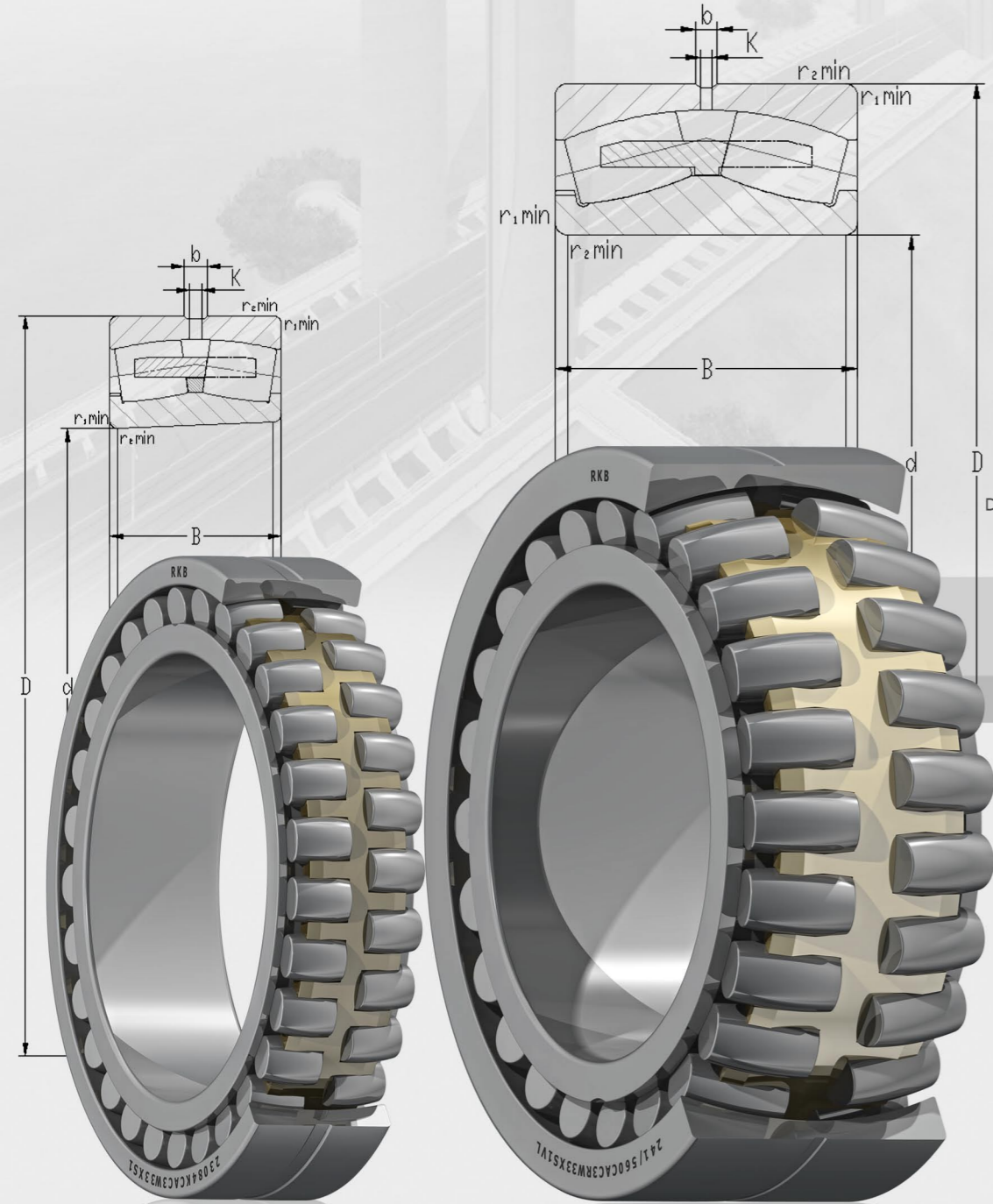
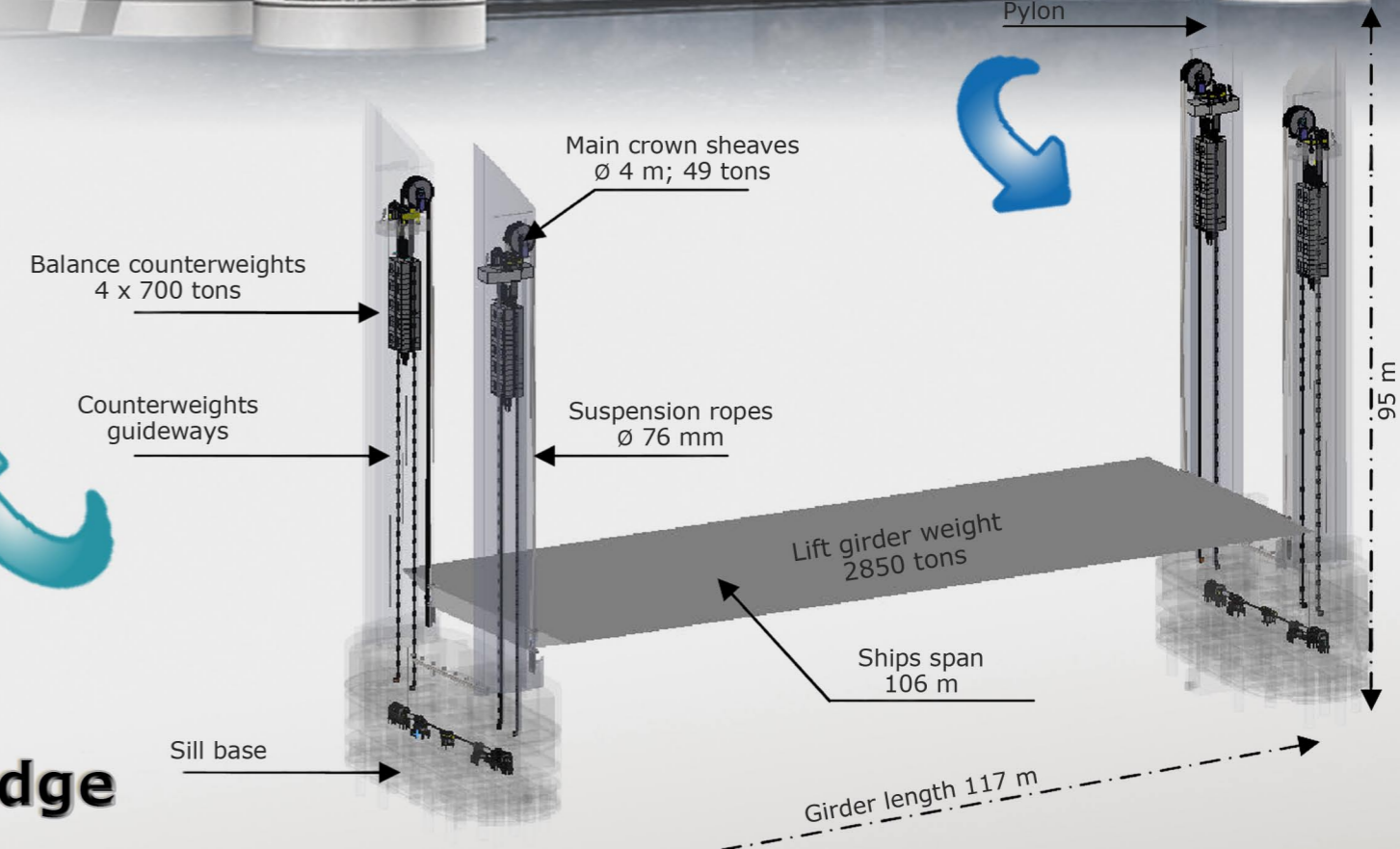


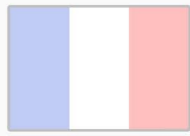
Main bearings:  
T3 Segment - Spherical roller bearings



# Project 'BBLS'

## Vertical lifting systems for bridge





Main bearings:  
T3 Segment - Spherical roller bearings



Radial load on main bearing > 8000 kN

Safety factor < 2

Rolling evaluated to the limits of elasto-hydrodynamic contacts

**Project 'BBLS'**  
Vertical lifting systems for bridge

