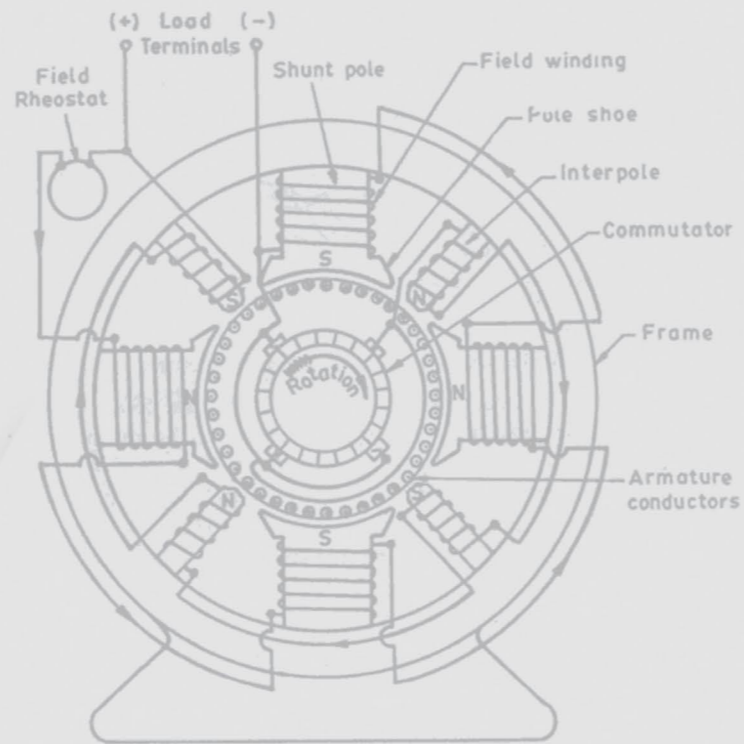
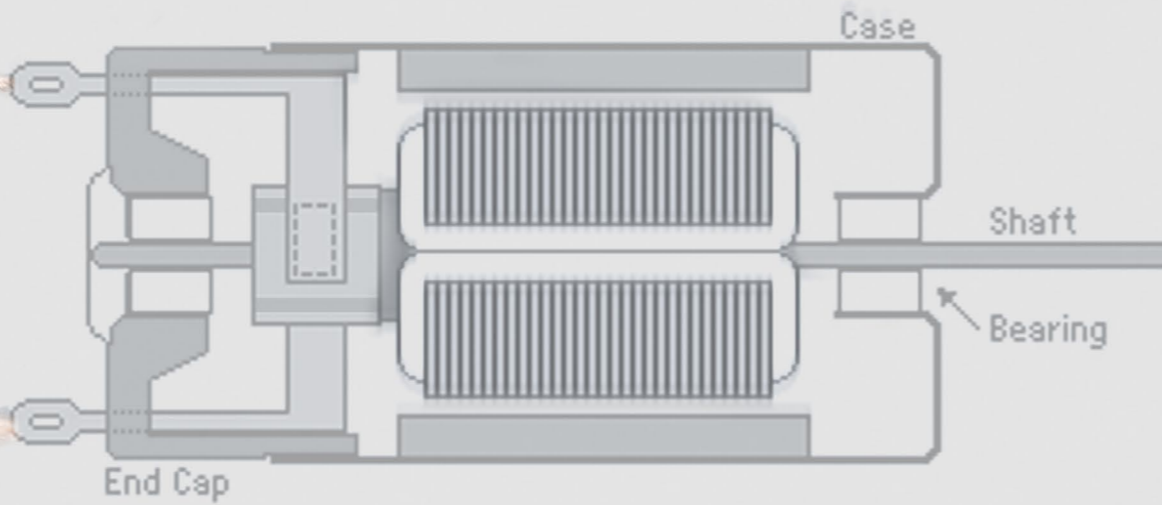
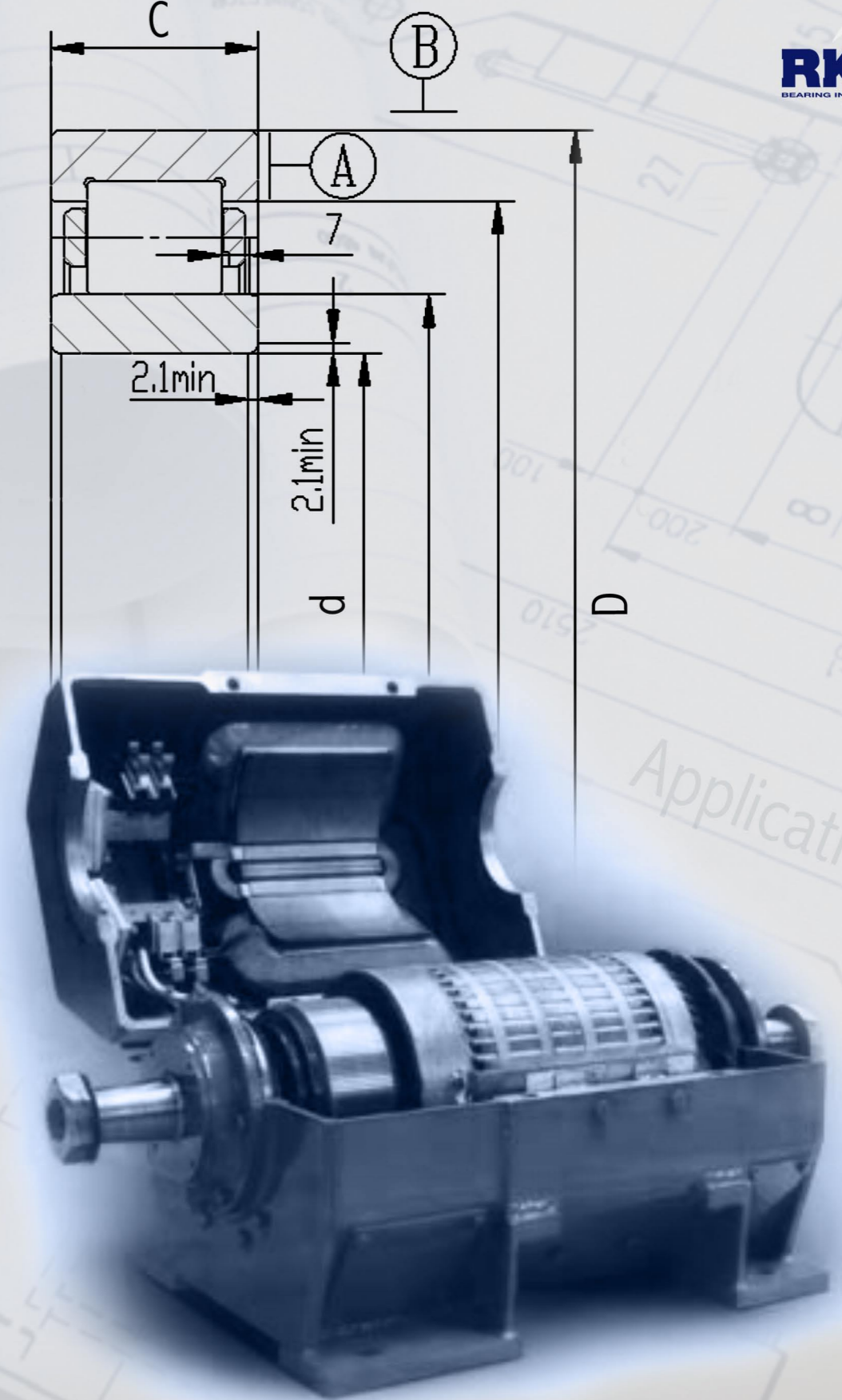




Main bearings: T3 Segment - AOB/Tailored - Cylindrical roller bearings

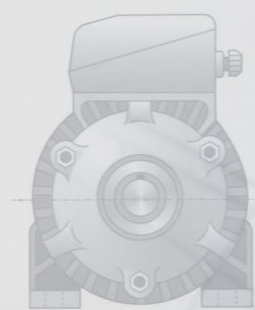


DC Motors



Project 'ASI'

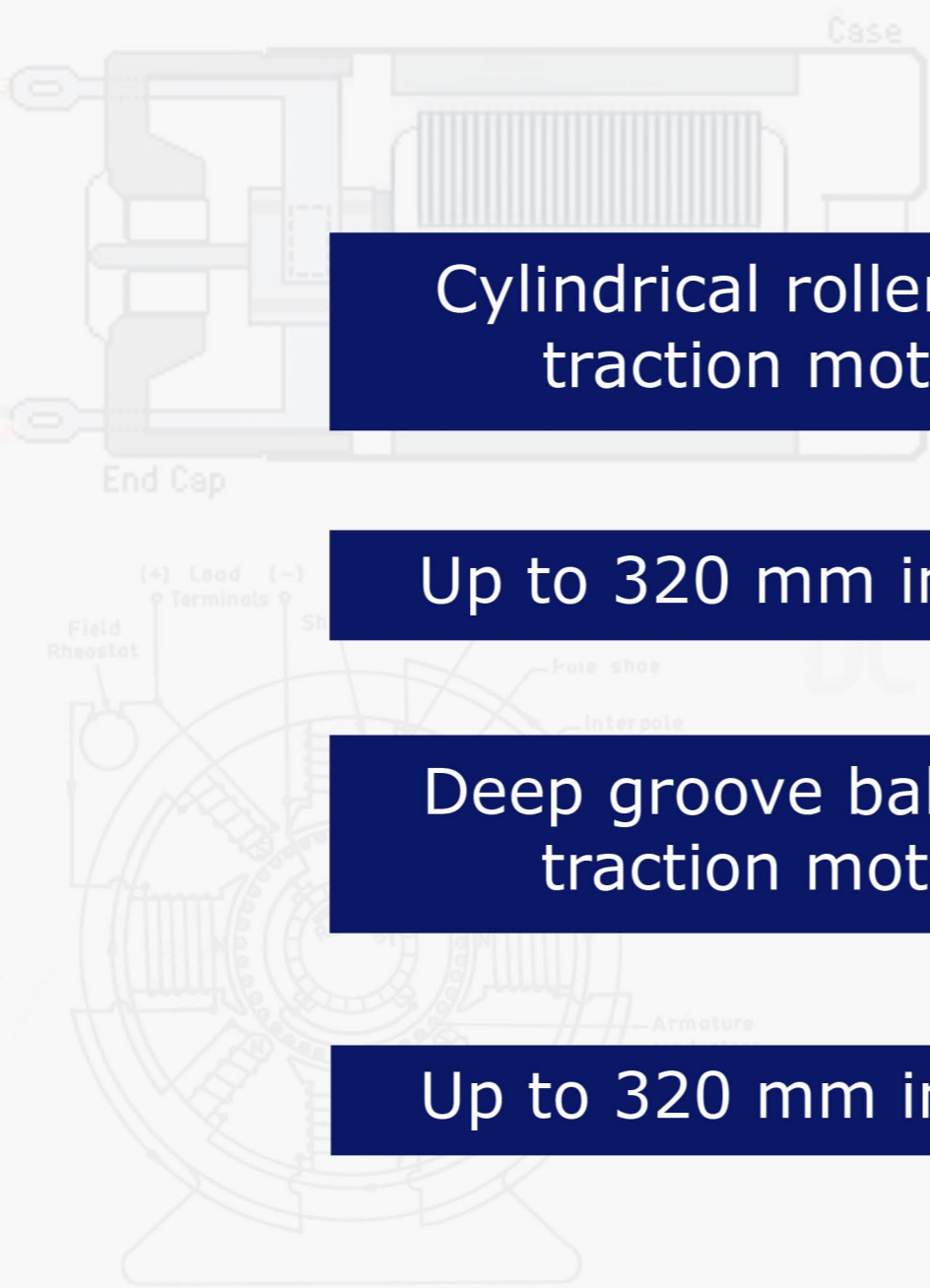
Motion control drivers and motors



Application



Main bearings: T3 Segment - AOB/Tailored - Cylindrical roller bearings

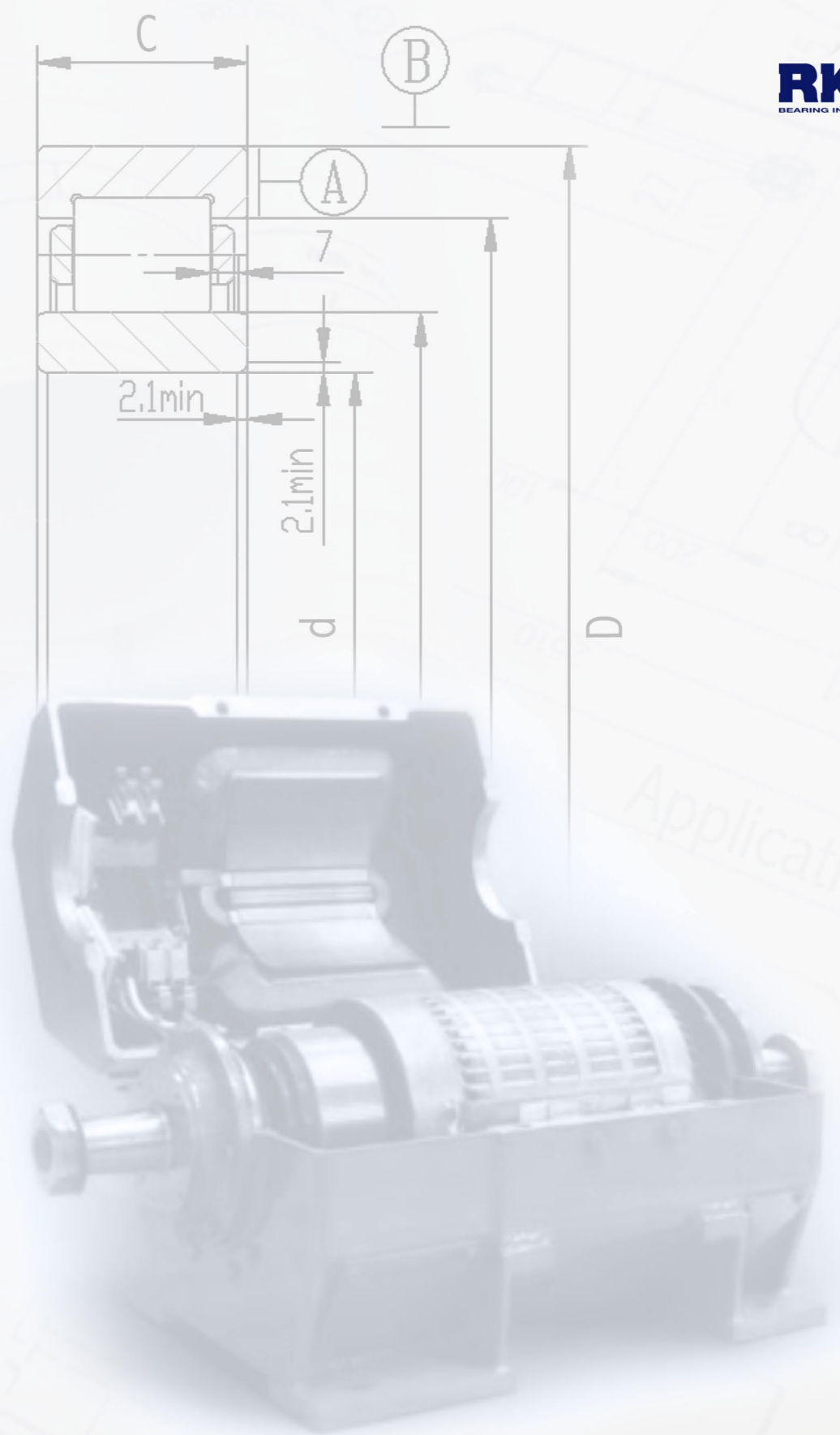


Cylindrical roller bearings for traction motors (AOB)

Up to 320 mm inner diameter

Deep groove ball bearings for traction motors (AOB)

Up to 320 mm inner diameter



Project 'ASI'

Motion control drivers and motors

