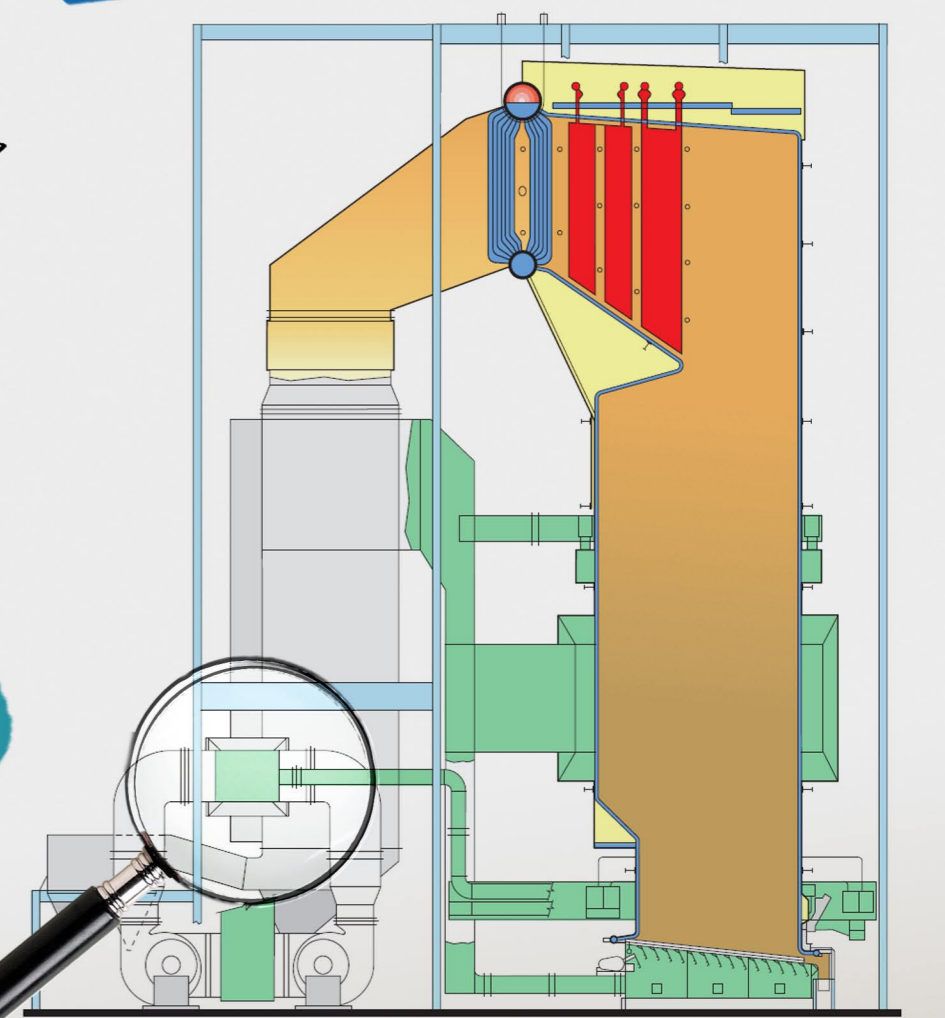
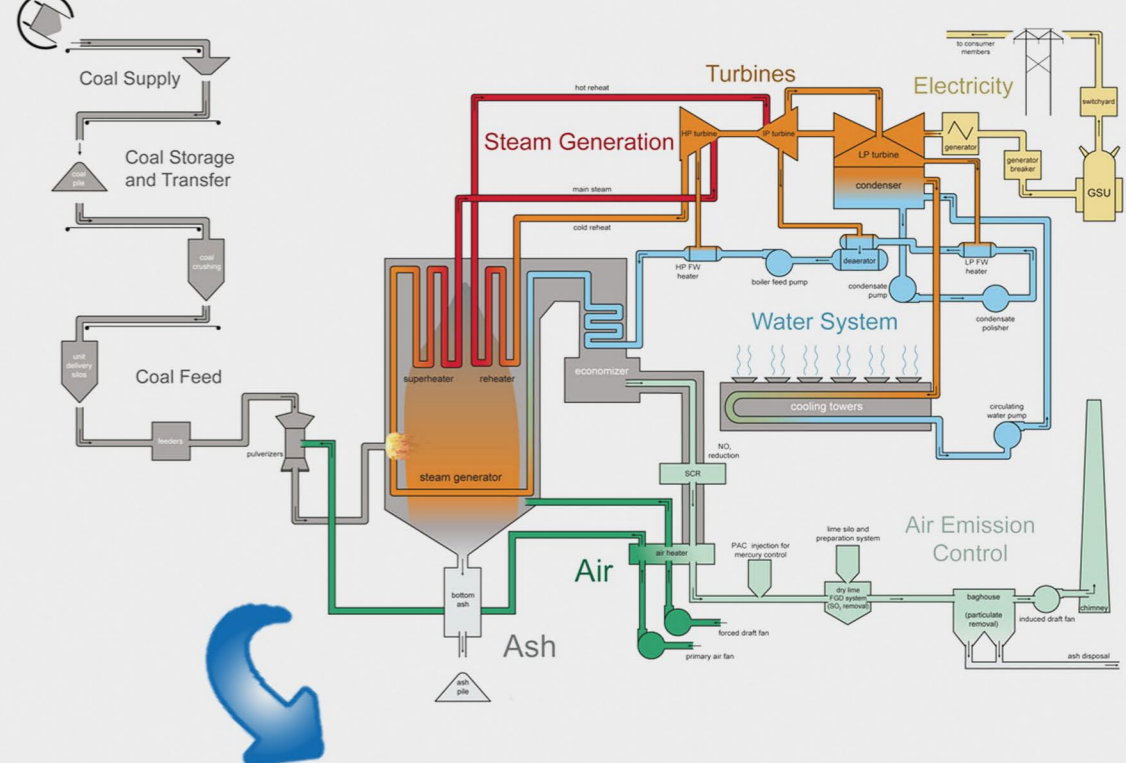
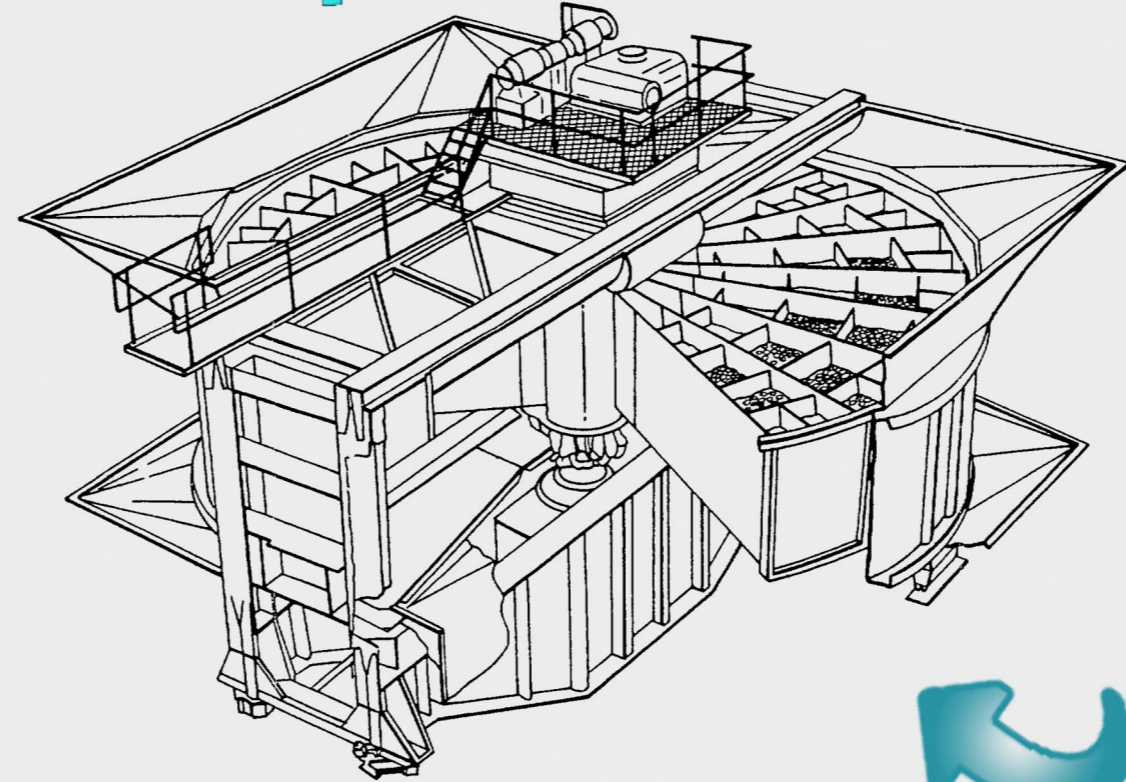
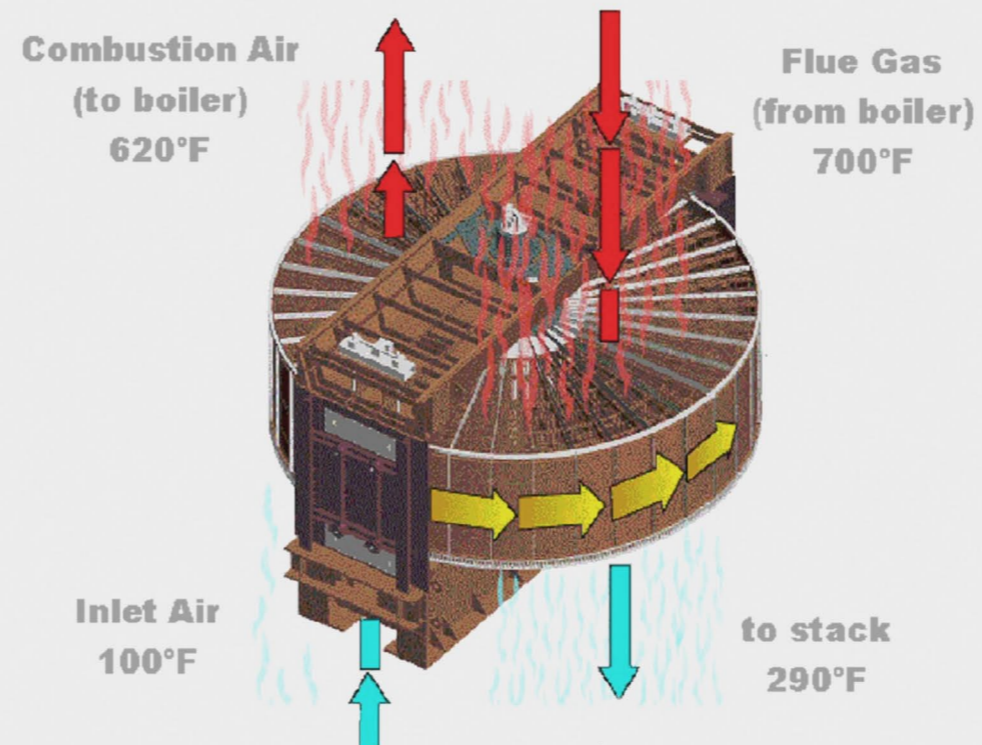
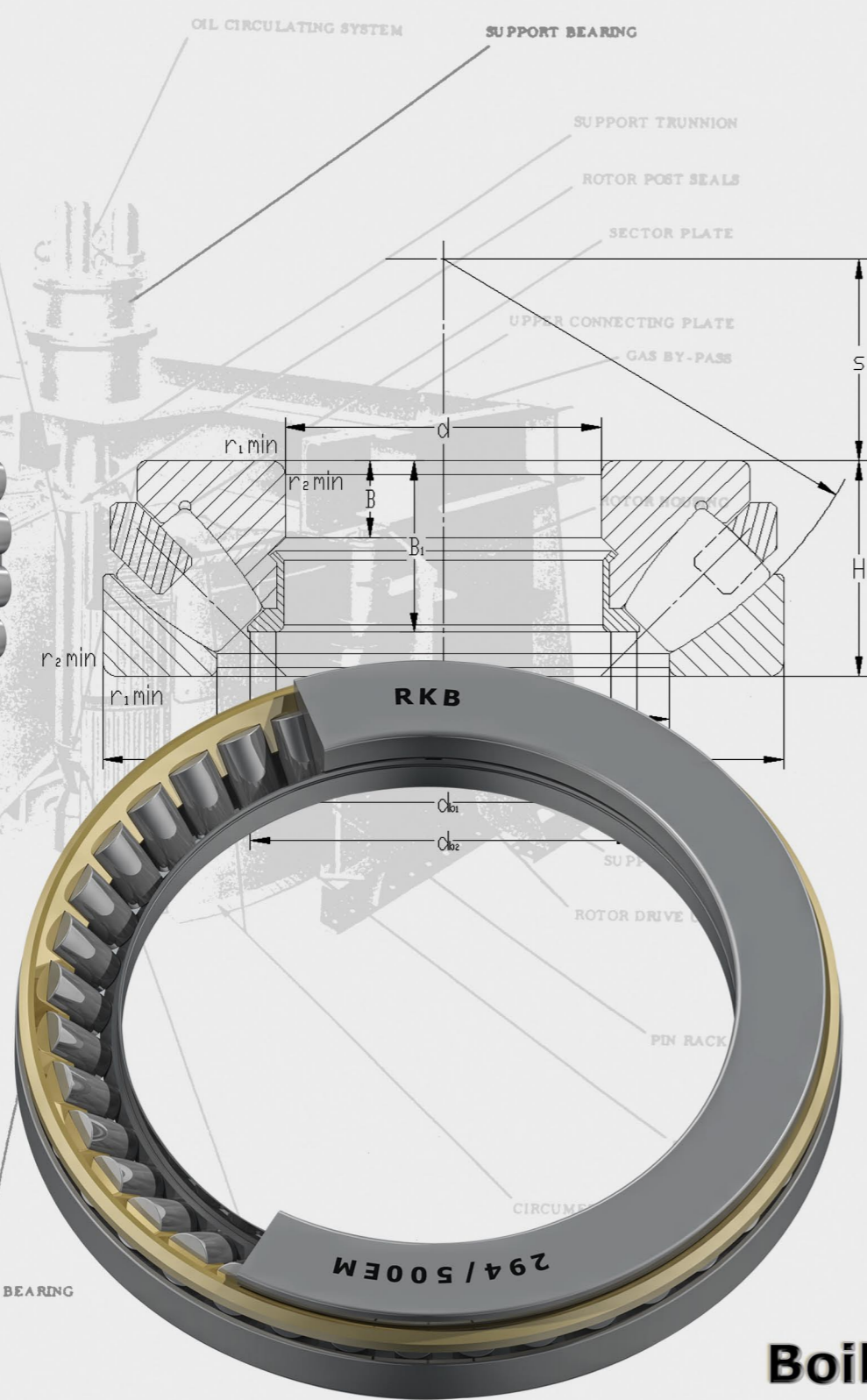
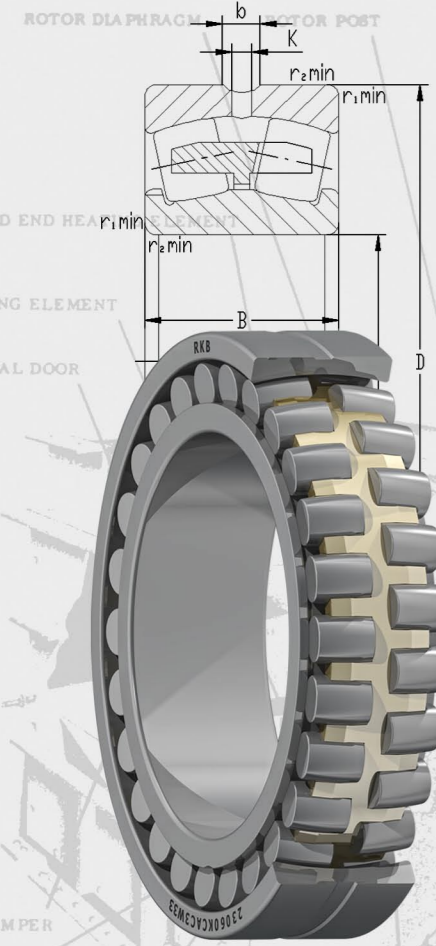
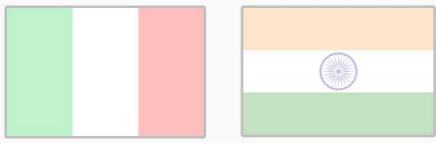


Main bearings: T3 Segment - Technological bearings



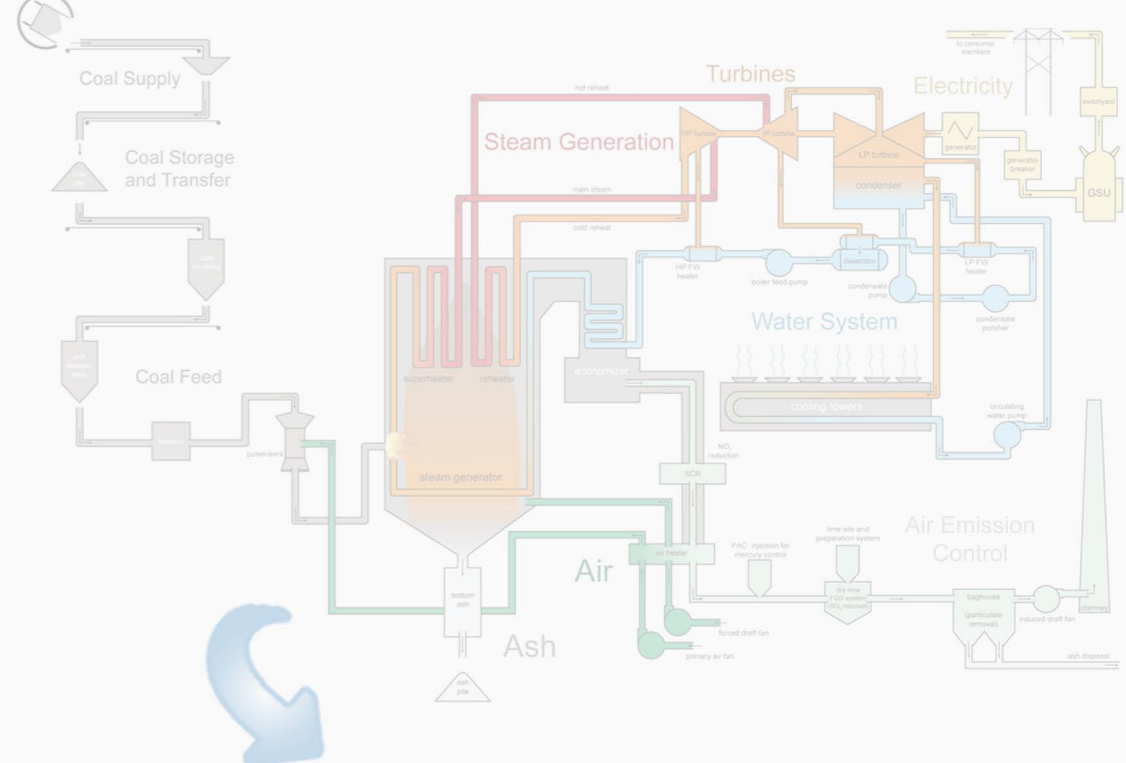
Project 'ABI' Boiler for power generation





Main bearings:
T3 Segment - Technological bearings

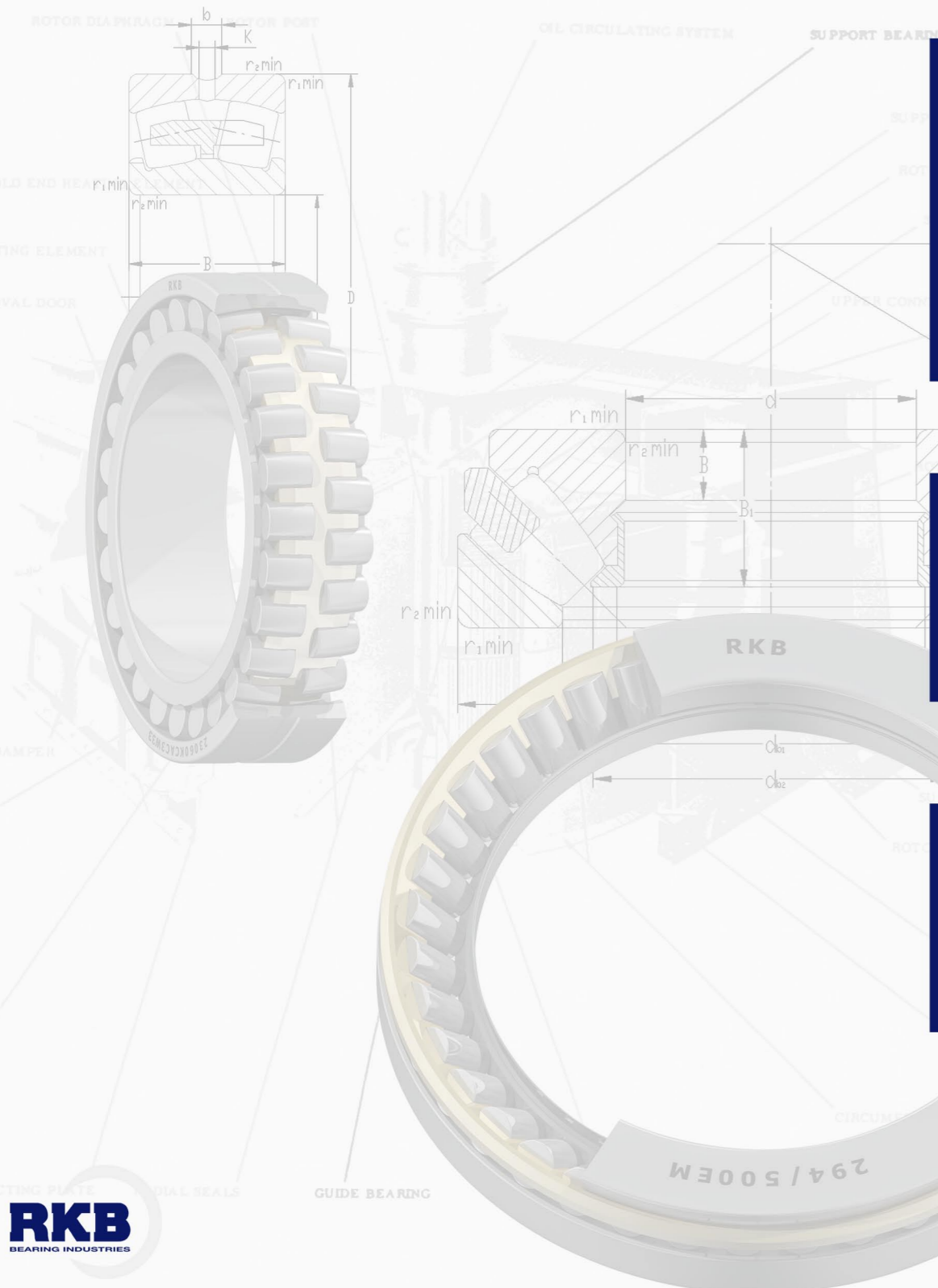
Combustion Air (to boiler) 620°F
Flue Gas (from boiler) 700°F



Technological Spherical roller thrust and spherical roller bearings for the vertical rotor of the Bi-drum boiler's regenerative air preheater

Up to 950mm inner diameter and bearing unit mass exceeding 2950 kg

Optimized execution for heavy loads at low rotational speeds (3-5 rpm)



Project 'ABI'
Boiler for power generation

