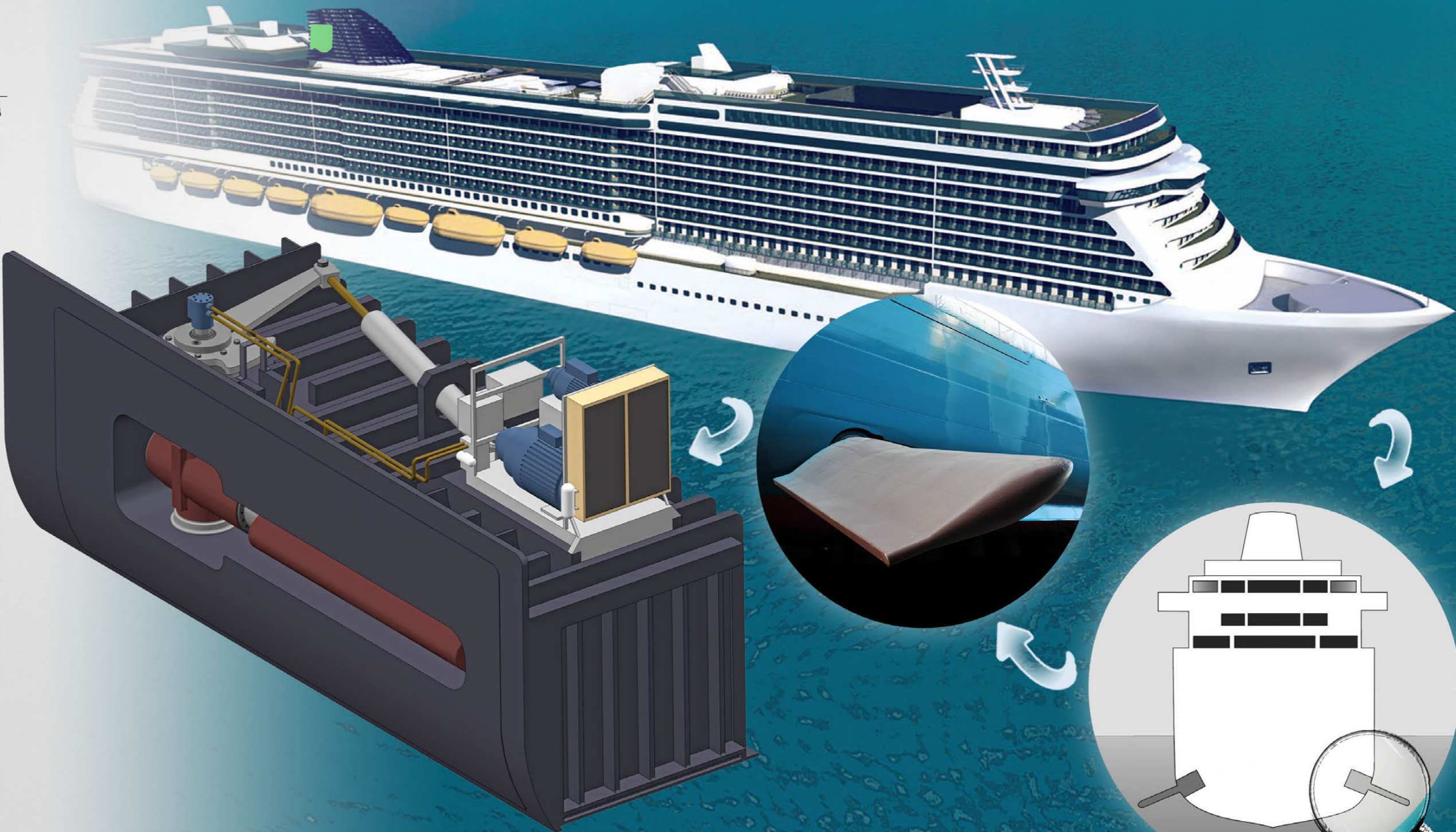
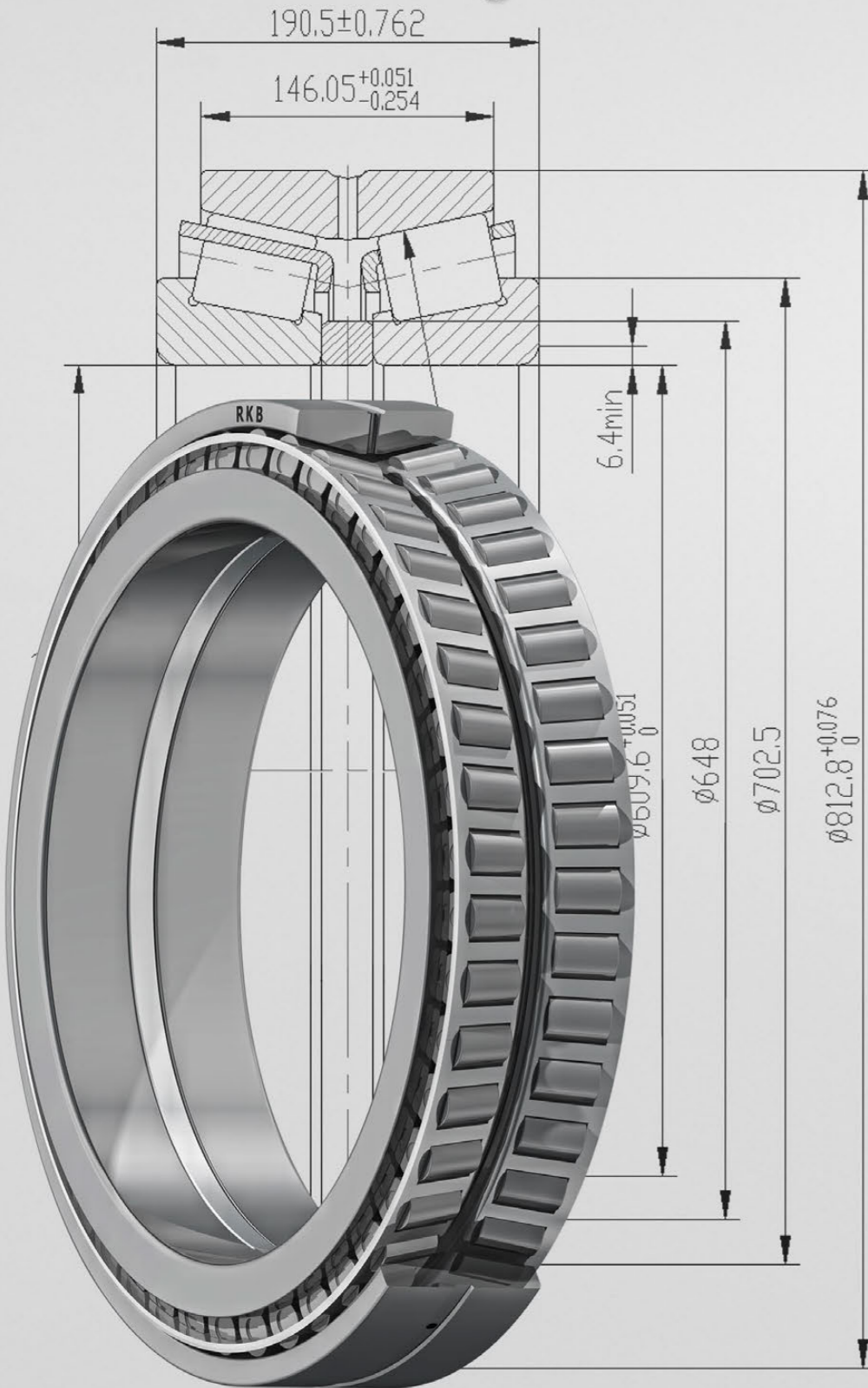




Main bearings:

T3 Segment - Double-row taper roller bearings



Project 'Stabilizer Fin'
Gyrofin stabilizer system



Main bearings:

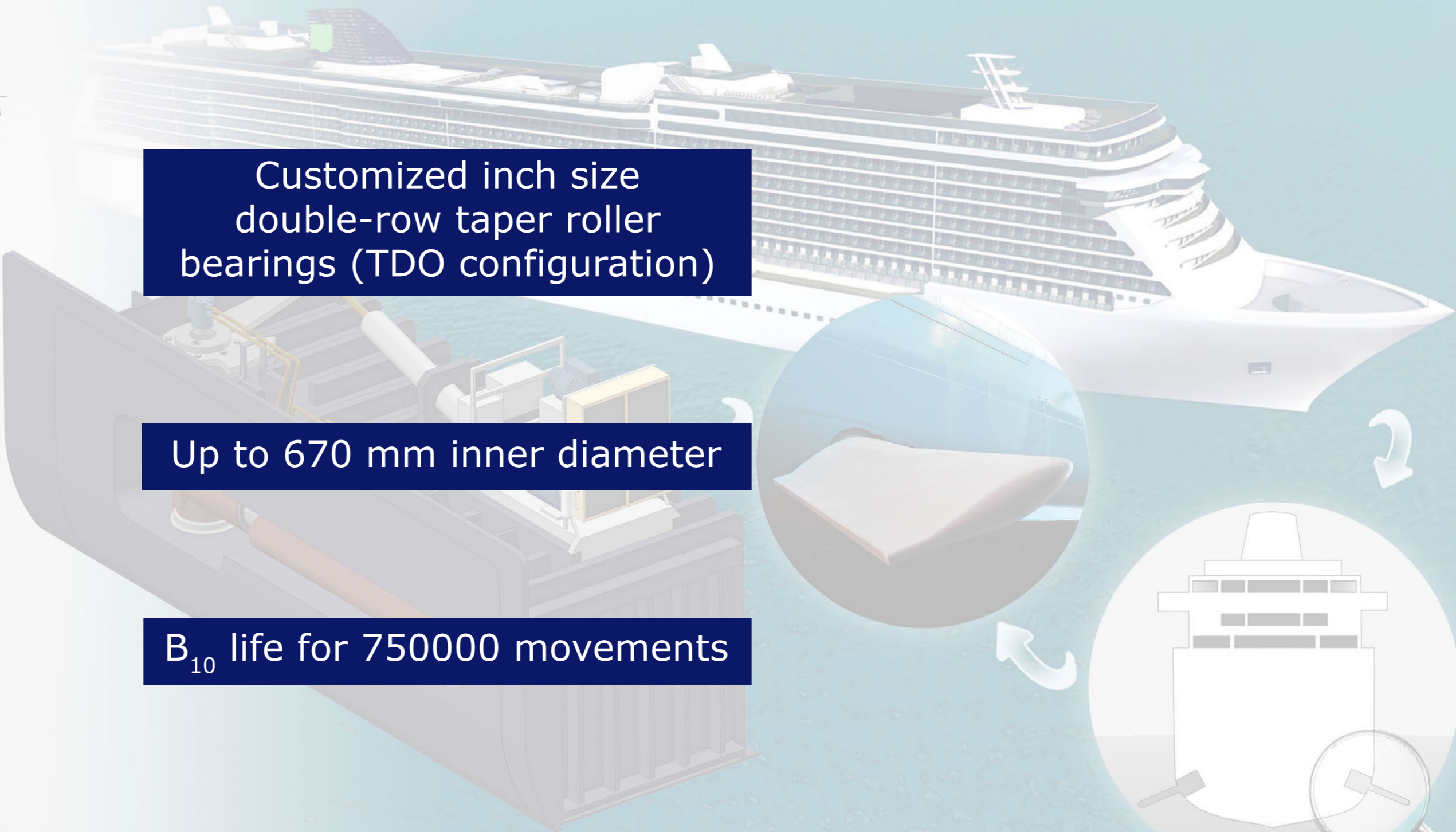
T3 Segment - Double-row taper roller bearings



Customized inch size double-row taper roller bearings (TDO configuration)

Up to 670 mm inner diameter

B₁₀ life for 750000 movements



Project 'Stabilizer Fin'
Gyrofin stabilizer system